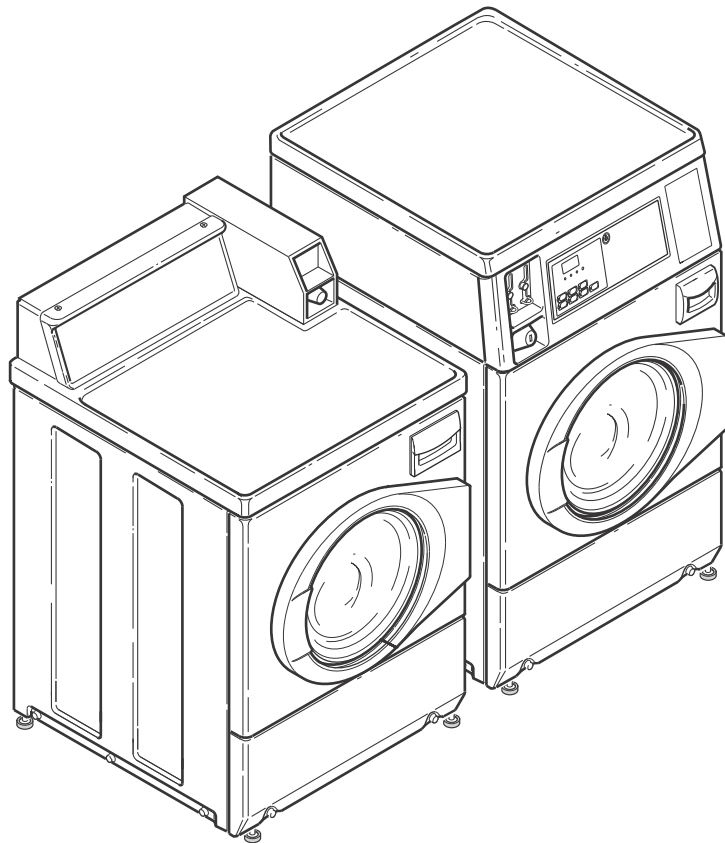


# Commercial Frontload Washers

Refer to Page 3 for Model Numbers



FLW1551C\_806117



# Table of Contents

Title	Page
Parts Ordering Information.....	2
Serial Plate Location .....	2
Model Identification .....	3
Control Panel and Controls .....	4
Top Assembly .....	6
Electrical Access Panel and Filters .....	8
Control Cabinet and Meter Case .....	10
Non-Electronic Coin Drop .....	12
Electronic Coin Drop .....	14
Control Cabinet - Front Control Card Reader Ready Models .....	16
Control Cabinet - 45 Degree Front Control Models.....	18
Coin Drop, Meter Case and Service Door .....	20
Meter Case, Service Door and Cabinet Top .....	22
Coin Slide Extension .....	24
Control Panel, Control Hood and Controls (Drawing 1 of 3) .....	26
Control Panel, Control Hood and Controls (Drawing 2 of 3) .....	28
Control Panel, Control Hood and Controls (Drawing 3 of 3) .....	30
Control Hood Security Kit.....	32
Front Panel, Door Assembly and Door Seal .....	34
Front Panel Assembly .....	36
Dispenser Assembly .....	38
Mixing Valve, Inlet Hose and Dispenser Hose .....	40
Outer Tub, Clamp Ring and Shock Absorbers.....	42
Inner Basket, Trunnion, Bearing Housing and Pulley .....	44
Motor and Belt.....	46
Drain Hoses and Valve .....	48
Hoses and Pump .....	50
Base, Side Panels and Rear Panel.....	52
Junction Box and Power Cord .....	54
Shipping Materials .....	56
Wire Ties, Harness Clips and Lead-In Cord.....	58
Special Tools .....	60
Labels .....	62
Wire Harnesses and Wires .....	64
Parts Index.....	67

© Copyright 2016, Alliance Laundry Systems LLC

All rights reserved. No part of the contents of this book may be reproduced or transmitted in any form or by any means without the expressed written consent of the publisher.

## Parts Ordering Information

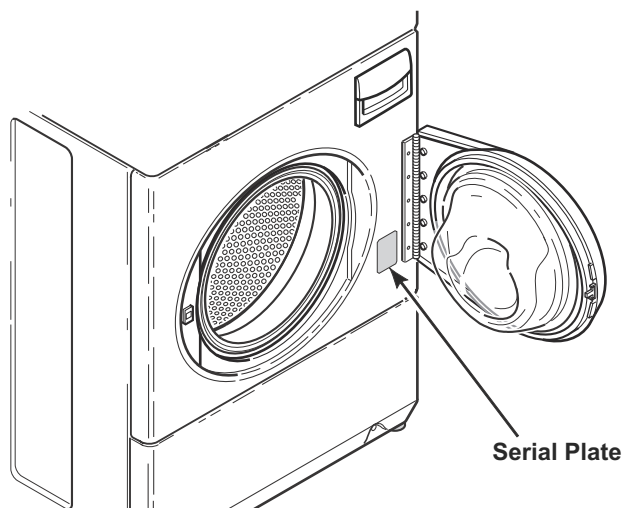
If literature or replacement parts are required, contact the source from whom the machine was purchased or contact Alliance Laundry Systems at (920) 748-3950 for the name and address of the nearest authorized parts distributor.

For technical assistance, call either of the numbers listed below:

(920) 748-3121 Ripon, Wisconsin  
+32 56 41 20 54 Wevelgem, Belgium

## Serial Plate Location

When calling or writing about your product, be sure to mention model and serial numbers. Model and serial numbers are located on serial plate(s) as shown.



FLW2407N\_806117

## Model Identification

Information in this manual is applicable to these washer models:

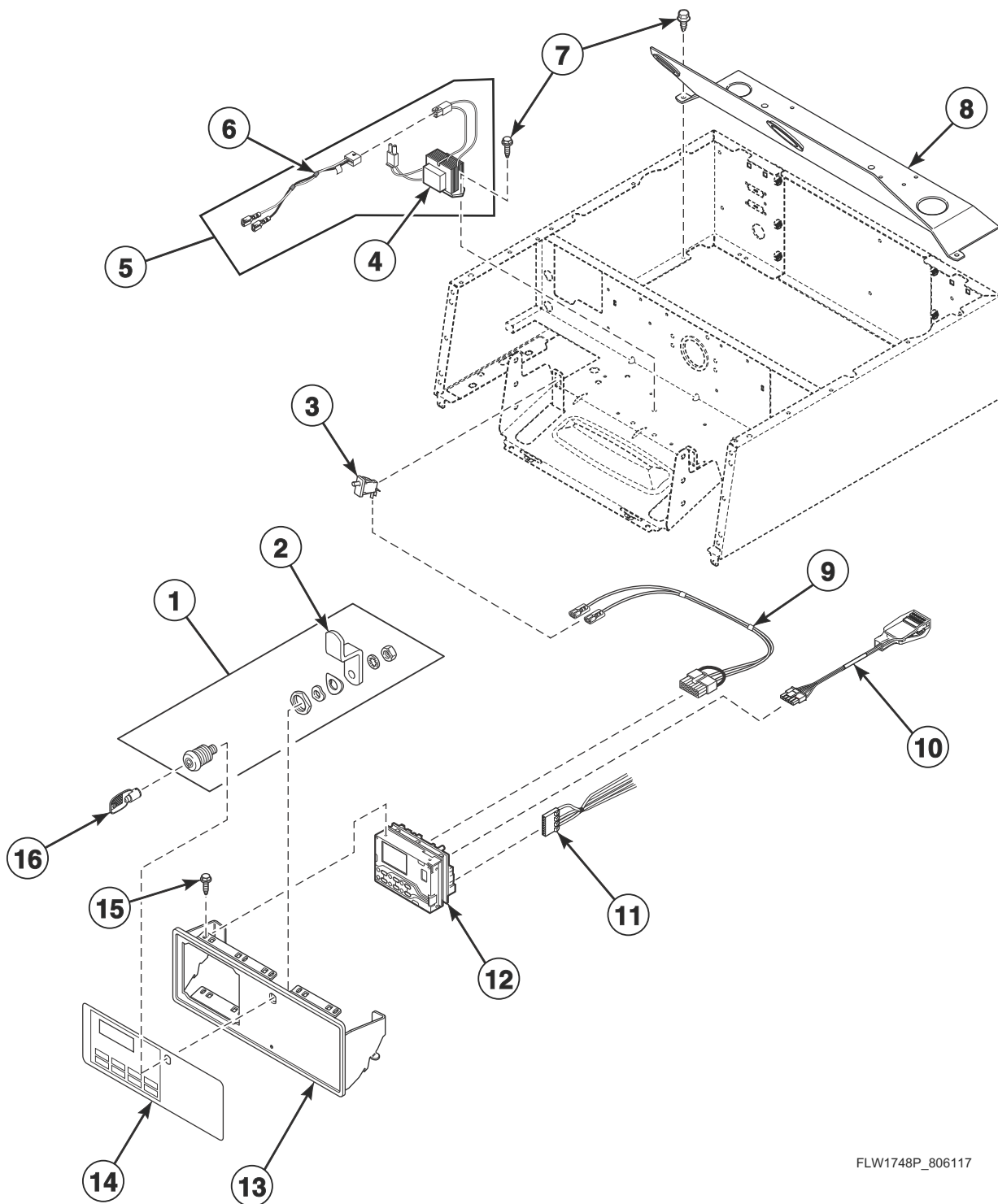
BFNBCASG113TN01  
BFNBCASG113TW01  
BFNBCASP113TW01  
BFNBEASP113CN01  
BFNBEASP113CW01  
BFNBLBSP303AW01  
BFNBLBSP543NW01  
BFNBXASP113FW01  
BFNBXASP303AW01  
BFNBYASP113TW01  
HFNBCASG113TN01  
HFNBCASG113TQ01  
HFNBCASG113TW01  
HFNBCASP113TN01  
HFNBCASP113TQ01  
HFNBCASP113TW01  
HFNBCRSP113TW01  
HFNBDSG113CW01  
HFNBDSG113CW01  
HFNBDRSP113CW01  
HFNBEASP113CW01  
HFNBERSP113CW01  
HFNBXASP113CW01  
HFNBXASP113FQ01  
HFNBXASP113FW01  
HFNBXASP123DW01  
HFNBXASP303NW22  
HFNBXASP543DW01  
HFNBXRSP113FW01  
HFNBYASG113CW01  
HFNBYASP113CW01  
HFNBYSRSP113CW01

HFNKCASG113TN01  
HFNKCASG113TN31  
HFNKCASG113TN32  
HFNKCASG113TW01  
HFNKCASP113TN01  
HFNKCASP113TN31  
HFNKCASP113TN32  
HFNKCASP113TW01  
HFNKDASG113CN01  
HFNKDASG113CN31  
HFNKDASG113CN32  
HFNKDASG113CW01  
HFNKDASP113CN01  
HFNKDASP113CN31  
HFNKDASP113CN32  
HFNKDASP113CW01  
HFNKXASG113CN01  
HFNKXASG113CN31  
HFNKXASG113CN32  
HFNKXASG113CW01  
HFNKXASP113CN01  
HFNKXASP113CN31  
HFNKXASP113CN32  
HFNKXASP113CW01  
HFNKYASG113CN01  
HFNKYASG113CN31  
HFNKYASG113CN32  
HFNKYASG113CW01  
HFNKYASP113CN01  
HFNKYASP113CN31  
HFNKYASP113CN32  
HFNKYASP113CW01  
HFNSXRSP113CW01

SFNBCASG113TQ01  
SFNBCASG113TW01  
SFNBCASP113TQ01  
SFNBCASP113TW01  
SFNBCRSP113TW01  
SFNBCRSP113TW02  
SFNBXASG113JW01  
SFNBXASG113TQ01  
SFNBXASG113TW01  
SFNBXASP113FW01  
SFNBXASP113TQ01  
SFNBXASP113TW01  
SFNBXASP123DW01  
SFNBXASP303AW01  
SFNBXASP303AW12  
SFNBXASP303NW22  
SFNBXASP303ZQ01  
SFNBXASP303ZW01  
SFNBXASP543DW01  
SFNBXRSP113TW01  
SFNBXRSP113TW02  
SFNBYASG113TW01  
SFNBYASP113TW01  
SFNBYRSP113TW01  
SFNSXRSP113CW02  
SFNSXRSP113TQ01  
SFNSXRSP113TW01  
SFNSXRSP113TW02

# Control Panel and Controls

10 Degree Front Control Models



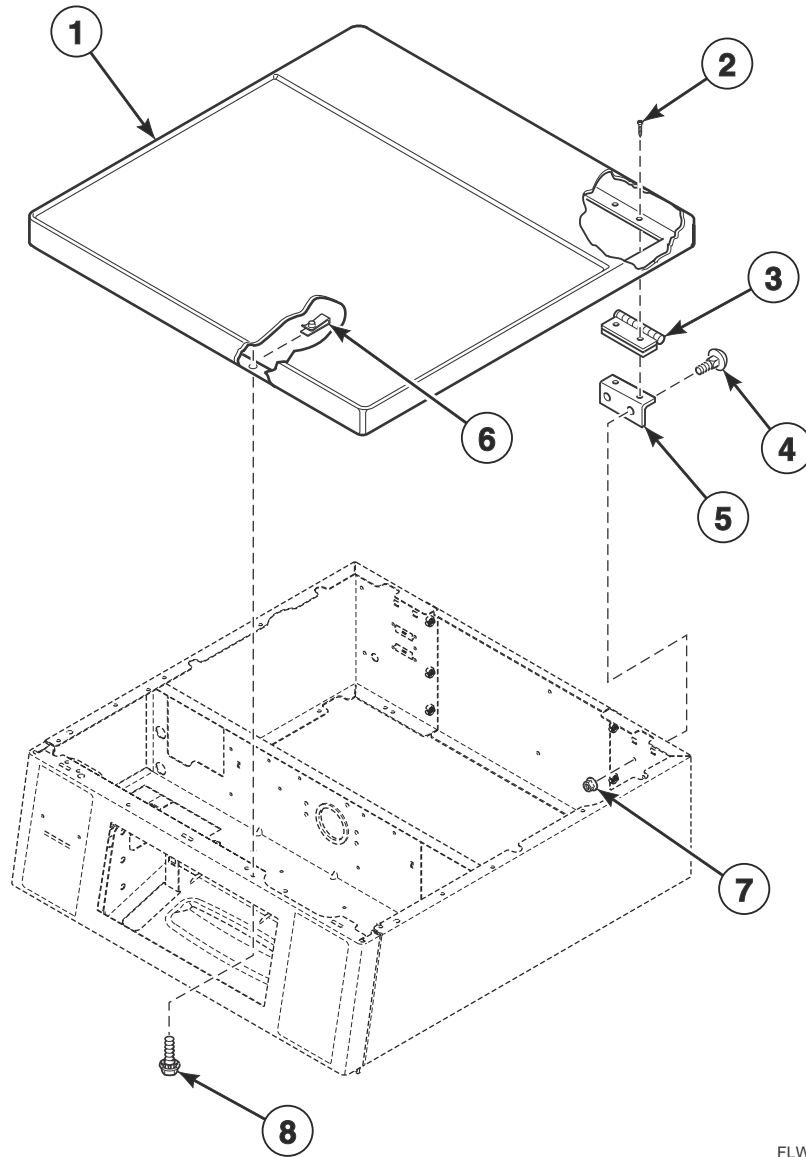
FLW1748P\_806117

## Control Panel and Controls

REF	PART NO.	DESCRIPTION	COMMENTS
1	804339P	Lock Assembly	
2	804338	Lock Cam	
3	512973	Switch	
4	202757	Transformer	120 Volt
	202758	Transformer	240 Volt
5	203423	Transformer Kit	120 Volt; Includes items 4 and 6
	203424	Transformer Kit	240 Volt; Includes items 4 and 6
6	804795	Transformer Harness	120 Volt
	805428	Transformer Harness	240 Volt
7	503688	Screw	
8	804363	Control Shield	
9	202868	Wiring Harness Assembly	Diagnostic; Models BFNBYASP113TW01, HFNBYSAG113CW01, HFNBYSAG113CN01, HFNBYSAG113CN31, HFNBYSAG113CN32, HFNBYSAG113CW01, HFNBYSAG113CN01, HFNBYSAG113CN31, HFNBYSAG113CN32, HFNBYSAG113CW01, SFNBYSAG113TW01 and SFNBYSAG113TW01
10	203361P	Machine ID Control Assembly	
11	805427	Central Pay Harness	
12	804472P	Control Assembly	Red LEDs; BFN models
	804471P	Control Assembly	Green LEDs; All other models
13	804070Q	Control Panel Assembly	Bisque
	804070W	Control Panel Assembly	White
	804070B	Control Panel Assembly	Black
14	805735	Overlay	Models BFNBCASG113TN01, BFNBCASG113TW01, BFNBCASP113TW01, BFNBXASP303AW01 and BFNBYASP113TW01
	805394	Overlay	Models BFNBEASP113CN01, BFNBEASP113CW01 and BFNBXASP113FW01
	805393	Overlay	Models HFNBCASG113TN01, HFNBCASG113TQ01, HFNBCASG113TW01, HFNBCASP113TN01, HFNBCASP113TQ01, HFNBCASP113TW01, HFNB DASG113CW01, HFNB DASP113CW01, HFNB EASP113CW01, HFNB XASP113CW01, HFNB XASP113FQ01, HFNB XASP113FW01, HFNB XASP123DW01, HFNB XASP303NW22, HFNB XASP543DW01, HFNB YASG113CW01 and HFNB YASP113CW01
	805034	Overlay	Models SFNBCASG113TQ01, SFNBCASG113TW01, SFNBCASP113TQ01, SFNBCASP113TW01, SFNB XASG113JW01, SFNB XASG113TQ01, SFNB XASG113TW01, SFNB XASP113FW01, SFNB XASP113TQ01, SFNB XASP113TW01, SFNB XASP123DW01, SFNB XASP303AW01, SFNB XASP303AW12, SFNB XASP303NW22, SFNB XASP303ZQ01, SFNB XASP303ZW01, SFNB XASP543DW01, SFNB YASG113TW01 and SFNB YASP113TW01
	805614	Overlay	Models HFNKCASG113TN01, HFNKCASG113TW01, HFNKCASP113TN01, HFNKCASP113TW01, HFNK D ASG113CN01, HFNK D ASG113CW01, HFNK D ASP113CN01, HFNK D ASP113CW01, HFNK X ASG113CN01, HFNK X ASG113CW01, HFNK X ASP113CN01, HFNK X ASP113CW01, HFNK Y ASG113CN01, HFNK Y ASG113CW01, HFNK Y ASP113CN01 and HFNK Y ASP113CW01
	805616	Overlay	Models HFNKCASG113TN31, HFNKCASP113TN31, HFNK D ASG113CN31, HFNK D ASP113CN31, HFNK X ASG113CN31, HFNK X ASP113CN31, HFNK Y ASG113CN31 and HFNK Y ASP113CN31
	805615	Overlay	Models HFNKCASG113TN32, HFNKCASP113TN32, HFNK D ASG113CN32, HFNK D ASP113CN32, HFNK X ASG113CN32, HFNK X ASP113CN32, HFNK Y ASG113CN32 and HFNK Y ASP113CN32
15	804647	Screw	
16	54612	Key	GR800

# Top Assembly

10 Degree Front Control Models



FLW1749P\_806117

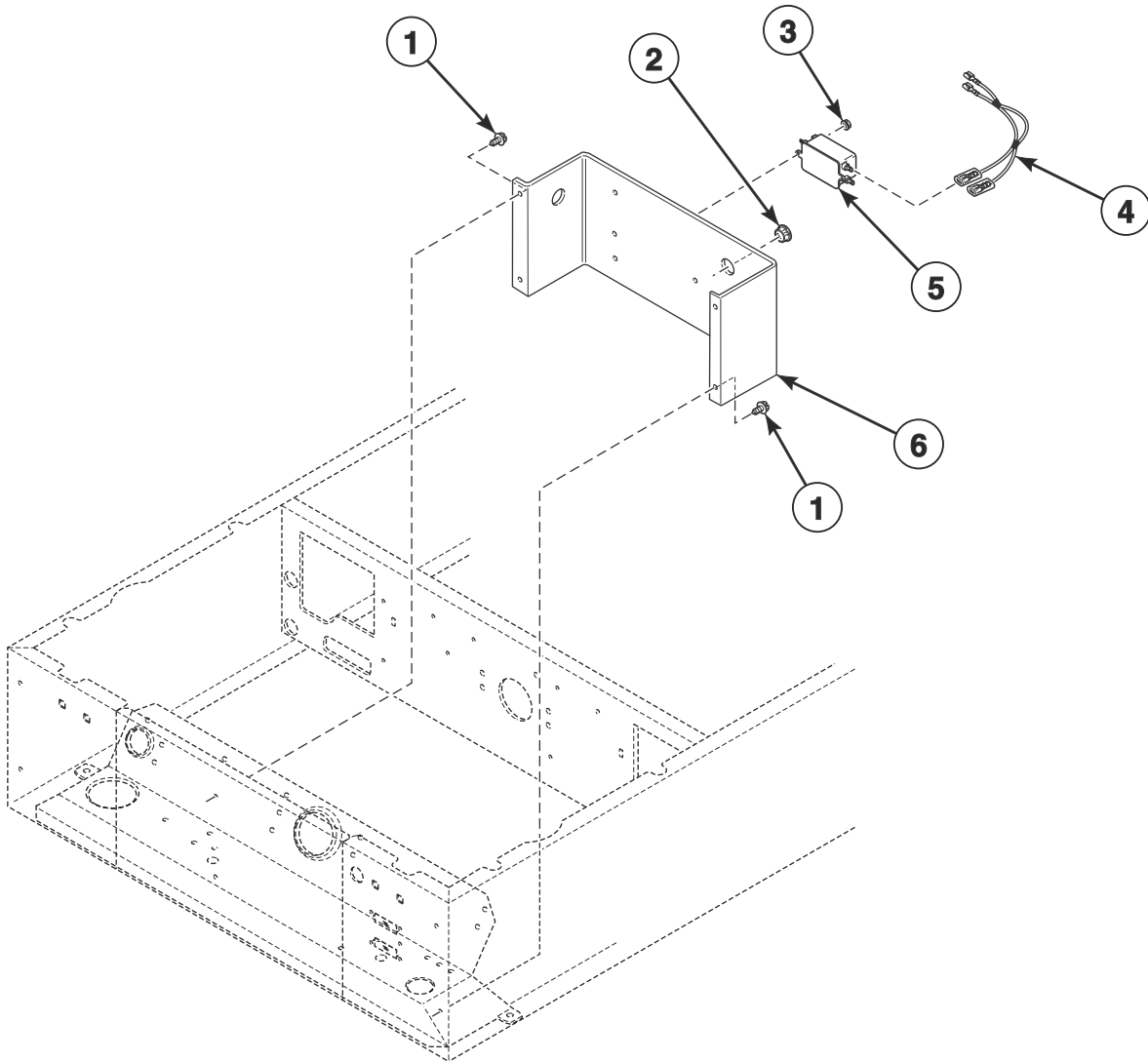


# Top Assembly

REF	PART NO.	DESCRIPTION	COMMENTS
1	803868WP	Top Panel	White
	803868Q	Top Panel	Bisque
	803869	Top Panel	Stainless steel
2	685847	Pop Rivet	
3	511036	Hinge	
4	29651	Bolt	
5	504228	Top Mounting Bracket	
6	36020	Nut	
7	44087201	Nut	
8	23008	Screw	

# Electrical Access Panel and Filters

Models BFNBLBSP303AW01, BFNBLBSP543NW01, BFNBXASP113FW01, BFNBXASP303AW01, HFNBXASP113FQ01, HFNBXASP113FW01, HFNBXASP123DW01, HFNBXASP303NW22, HFNBXASP543DW01, SFNBXASG113JW01, SFNBXASP113FW01, SFNBXASP123DW01, SFNBXASP303AW01, SFNBXASP303AW12, SFNBXASP303NW22, SFNBXASP303ZQ01, SFNBXASP303ZW01 and SFNBXASP543DW01  
Models Through Serial Nos. Beginning 1610



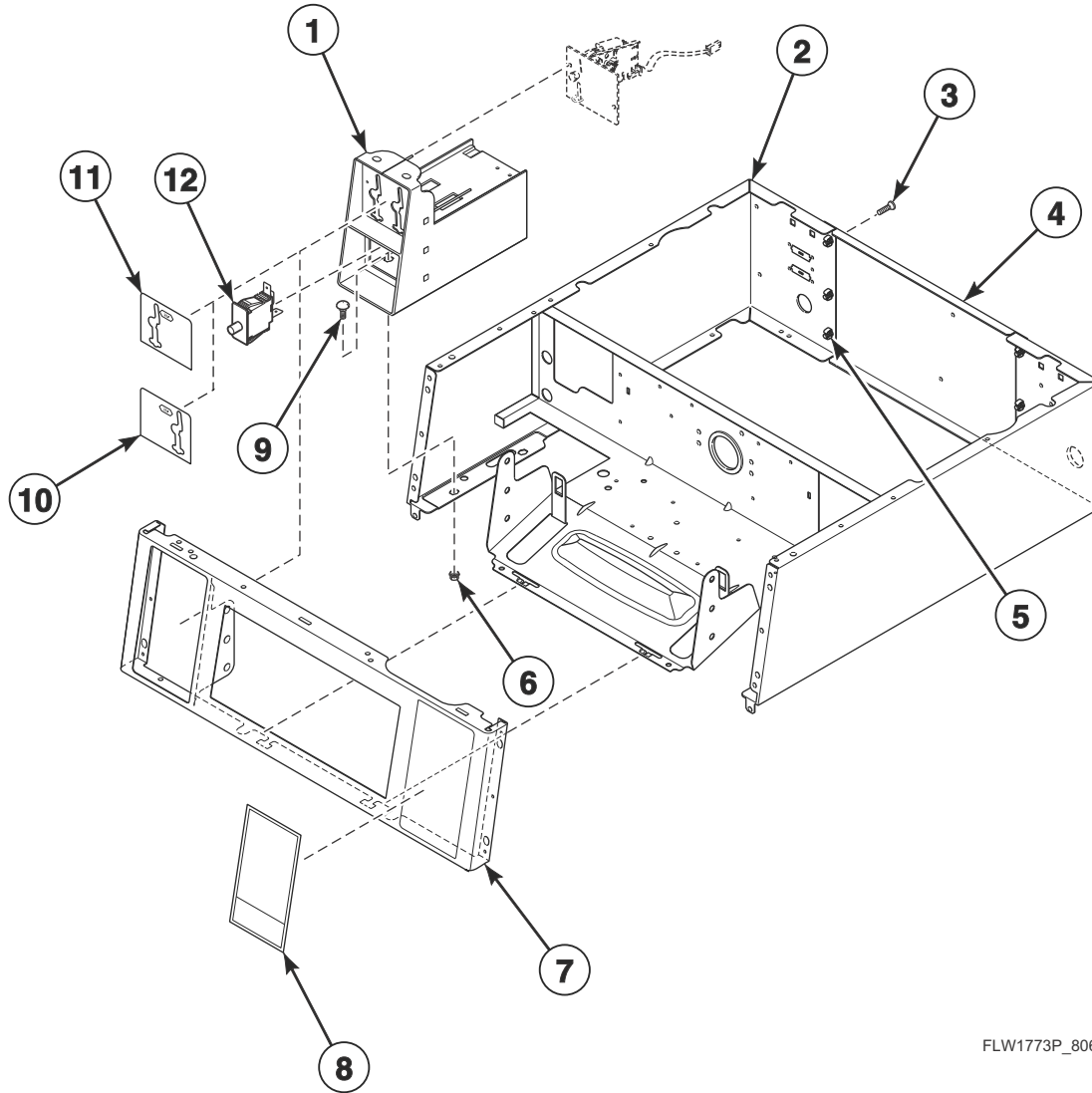
FLW1767P\_806117

## Electrical Access Panel and Filters

REF	PART NO.	DESCRIPTION	COMMENTS
1	503661	Screw	
2	M400770	Snap Bushing	Models BFNBLBSP303AW01 and BFNBLBSP543NW01
	M402542	Snap Bushing	All other models
3	29787	Nut	
4	804797	Filter Harness	All models except SFNBXASG113JW01
5	805633	Line Filter	
6	804609	Terminal Block Panel	Models BFNBLBSP303AW01 and BFNBLBSP543NW01
	803988	Terminal Block Assembly	All other models

# Control Cabinet and Meter Case

Front Control Coin Models



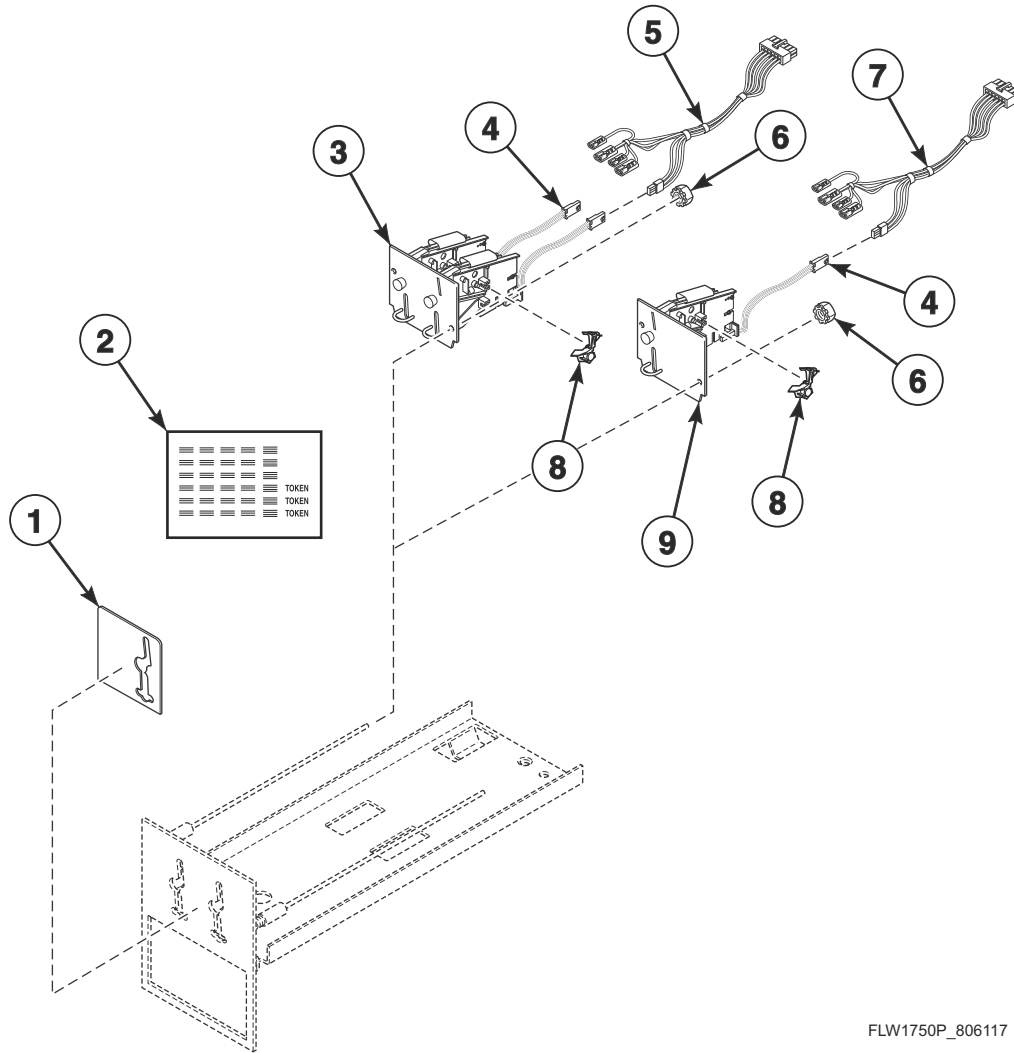
FLW1773P\_806117

## Control Cabinet and Meter Case

REF	PART NO.	DESCRIPTION	COMMENTS
1	804009B	Meter Case Assembly	Black
	804009Q	Meter Case Assembly	Bisque
	804009W	Meter Case Assembly	White
2	804104B	Wrapper Assembly	Black
	804104Q	Wrapper Assembly	Bisque
	804104W	Wrapper Assembly	White
3	70240301	Screw	6 required
4	803998	Rear Access Panel	
5	70030501	Expansion Clip	6 required
6	44087201	Nut	
7	803962BP	Control Panel	Black
	803962Q	Control Panel	Bisque
	803962WP	Control Panel	White
8	804846	Operating Instruction Label	Icon
	804327	Operating Instruction Label	English
9	29651	Bolt	
10	38717	Single Overlay	\$.25
	39073	Dual Overlay	\$.25/\$1.00
11	201091	Overlay	For electronic coin drops
12	512973	Switch	

# Non-Electronic Coin Drop

Coin Models



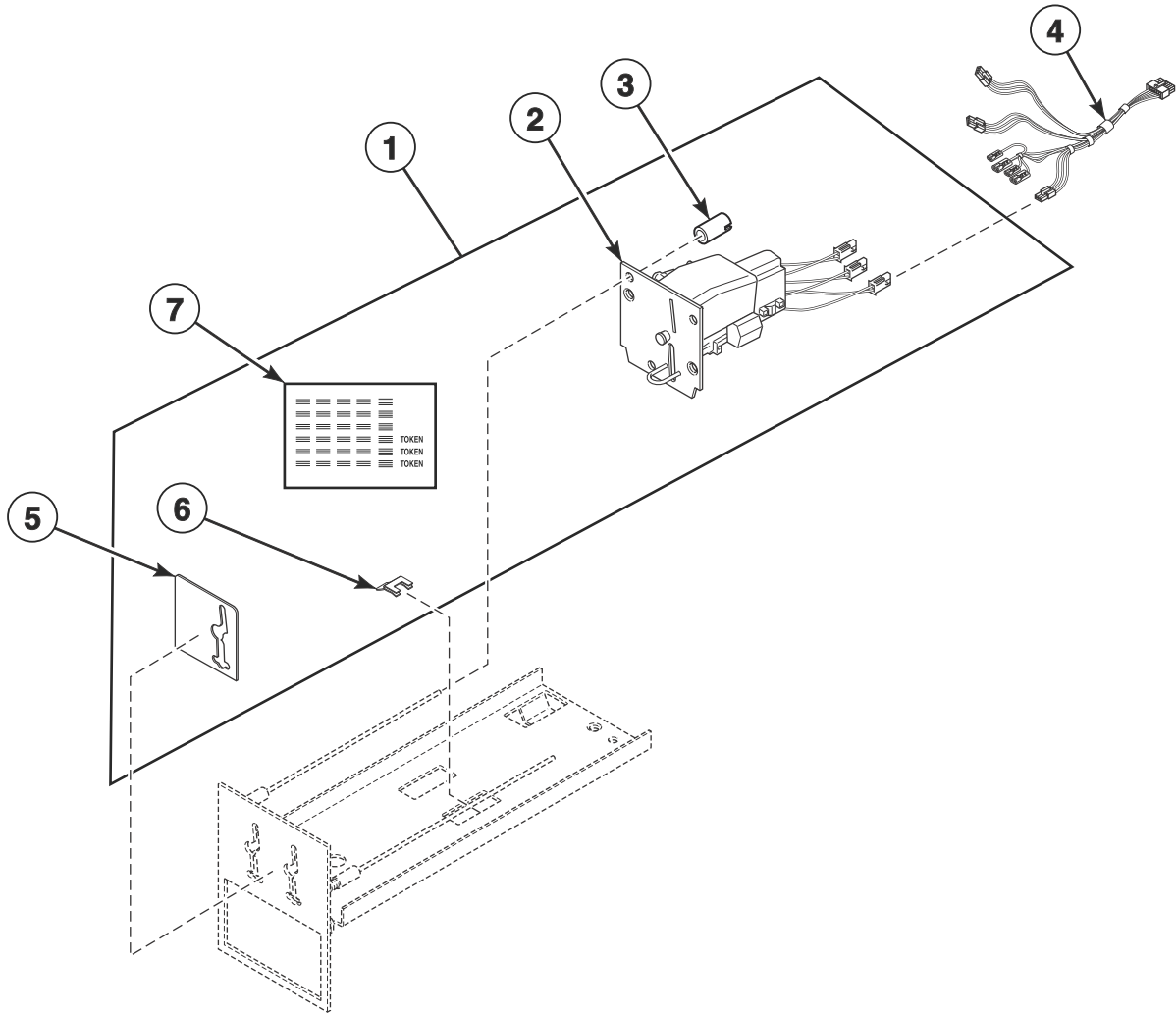
FLW1750P\_806117

## Non-Electronic Coin Drop

REF	PART NO.	DESCRIPTION	COMMENTS
1	38717	Single Overlay	
2	38725	Coin Identification Paper	
3	70441603	Coin Drop	U.S.A.; \$.25 and 1.00
	70441602	Coin Drop Assembly	Canada; .25 and 1.00
	38467	Coin Drop Assembly	Australia; .20 and 1.00
	70447301	Coin Drop Assembly	Australia; 1.00 and 2.00
	38472	Coin Drop Assembly	England; 20 pence and 1 pound
	38519	Coin Drop Assembly	Japan; 100 yen and 500 yen
	38521	Coin Drop Assembly	Korea; 100 won and 500 won
	70482401	Coin Drop Assembly	New Zealand; 1.00 and 2.00
4	200674P	Opto Coupler	
5	202871	Dual Coin Harness Assembly	Dual coin drop
6	29786	Nut	
7	202870	Single Coin Harness Assembly	Single coin drop
8	201595P	Wire Guard	Anti-stringing security device
9	70441601P	Coin Drop	U.S.A.; \$.25
	38464P	Coin Drop Assembly	Canada; .25
	CK114	Coin Drop Assembly	Singapore; Old 1.00
	CK123	Coin Drop Assembly	Singapore; New 1.00
	38462P	Coin Drop Assembly	Token; STD-118-1; .880 diameter x .079 thick; Brass
	38463	Coin Drop Assembly	Token; STD-118-5; .990 diameter x .081 thick; Silver
	38963P	Coin Drop	Token 118-16 not available; Replacement for 38963P Coin Drop only

# Electronic Coin Drop

Coin Models



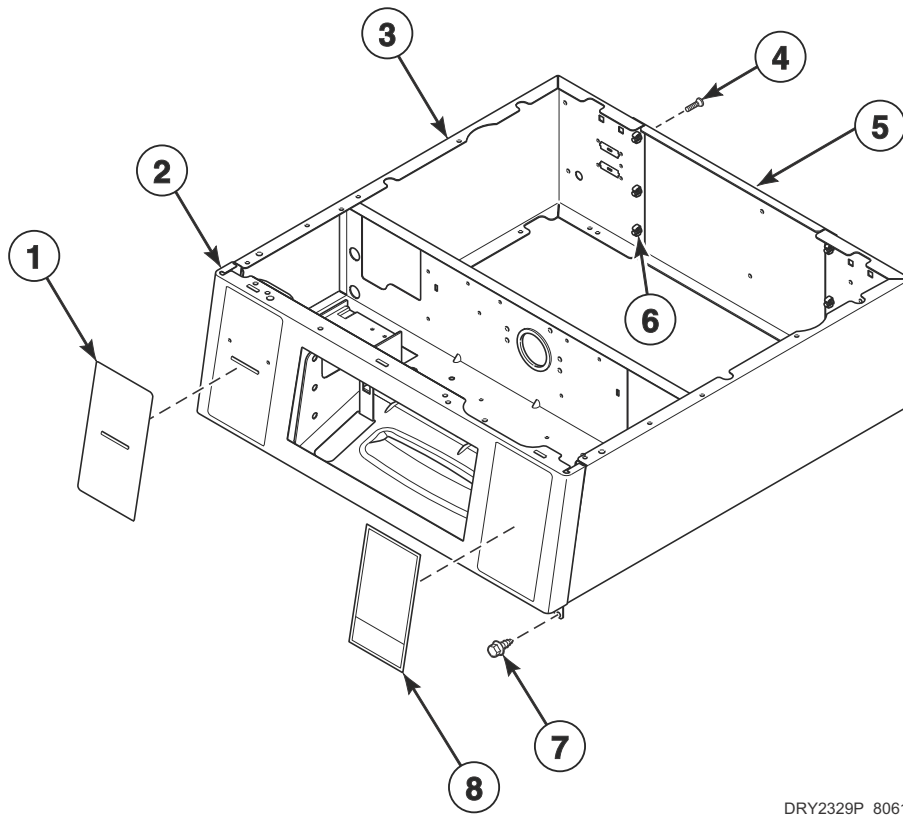
FLW1769P\_806117



# Electronic Coin Drop

REF	PART NO.	DESCRIPTION	COMMENTS
1	CK115	Electronic Coin Drop Kit	Includes items 2, 3 and 5-7; United States and Canada coins
	CK113	Electronic Coin Drop Kit	Includes items 2, 3 and 5-7; Japan and Taiwan coins
	CK099	Electronic Coin Drop Kit	Includes items 2, 3 and 5-7; Australia, New Zealand, Hong Kong, South Korea and Malaysia coins
	CK100	Electronic Coin Drop Kit	Includes items 2, 3 and 5-7; Euro and Great Britain coins
	CK101	Electronic Coin Drop Kit	Includes items 2, 3 and 5-7; Euro, Denmark and Norway coins
	CK103	Electronic Coin Drop Kit	Includes items 2, 3 and 5-7; Euro, Lithuania and Latvia coins
	CK106	Electronic Coin Drop Kit	Includes items 2, 3 and 5-7; Malaysia, China, Russia and Singapore coins
	CK108	Electronic Coin Drop Kit	Includes items 2, 3 and 5-7; South African 1, 2 and 5 rand coins
	CK109	Electronic Coin Drop Kit	Includes items 2, 3 and 5-7; Euro coins
	CK110	Electronic Coin Drop Kit	Includes items 2, 3 and 5-7; Mexico, Ecuador and United States coins
	CK120	Electronic Coin Drop Kit	Includes items 2, 3 and 5-7; Chile coins
	CK121	Electronic Coin Drop Kit	Includes items 2, 3 and 5-7; Singapore coins
2	70294105P	Electronic Coin Drop Assembly	Australia, New Zealand, Hong Kong, South Korea and Malaysia coins
	70294123	Electronic Coin Drop Assembly	Euro and Great Britain coins
	70294104	Electronic Coin Drop Assembly	Euro, Denmark and Norway coins
	70294107	Electronic Coin Drop Assembly	Euro, Lithuania and Latvia coins
	70294109	Electronic Coin Drop Assembly	Malaysia, China, Russia and Singapore coins
	70294110	Electronic Coin Drop Assembly	South African 1, 2 and 5 rand coins
	70294111	Electronic Coin Drop Assembly	Euro coins
	70294122	Electronic Coin Drop Assembly	Great Britain and token coins
	70294106	Electronic Coin Drop Assembly	Mexico, Ecuador and United States coins
	70294120	Electronic Coin Drop Assembly	Chile coins
	70294121	Electronic Coin Drop Assembly	Singapore coins
3	201216	Nut	Slotted nut; Rear control models
	29786	Nut	Hex nut; Front control models
4	202871	Dual Coin Harness Assembly	Electronic coin drop requires this harness. If unit is not factory-equipped with this harness, it must be ordered separately.
5	201091	Overlay	
6	201572	Clip	
7	38725	Coin Identification Paper	

# Control Cabinet - Front Control Card Reader Ready Models



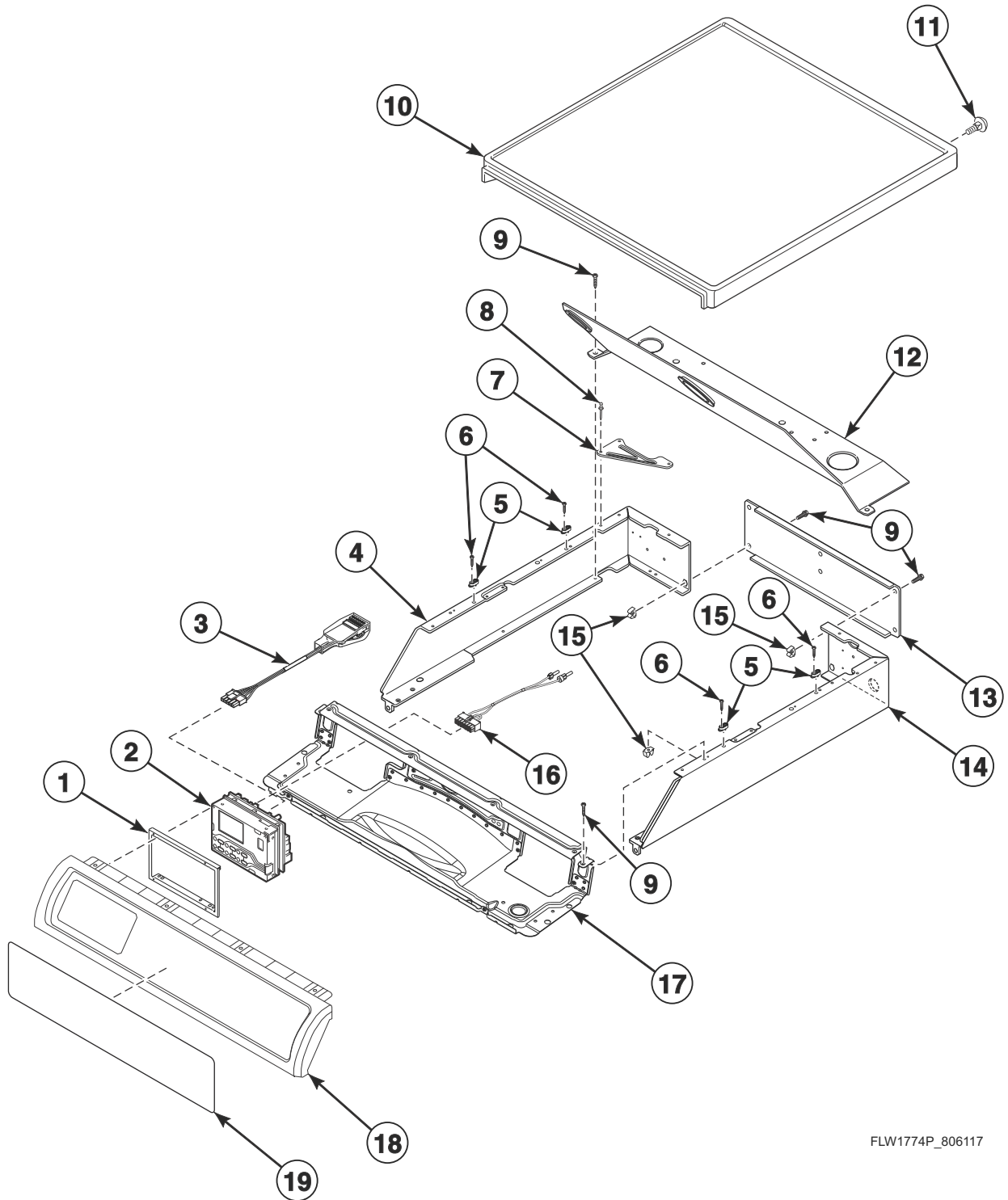
DRY2329P\_806117

## Control Cabinet - Front Control Card Reader Ready Models

REF	PART NO.	DESCRIPTION	COMMENTS
1	514391	Card Insert Overlay	Black; Models BFNBYPASP113TW01, SFNBYPASG113TW01 and SFNBYPASP113TW01
	514873	Overlay	Gray; All other models
2	804149WP	Security Cabinet Assembly	White
	804149B	Security Cabinet Assembly	Black
3	804112W	Wrapper Assembly	White
	804112B	Wrapper Assembly	Black
4	70240301	Screw	
5	803998	Rear Access Panel	
6	70030501	Expansion Clip	
7	503688	Screw	
8	804327	Operating Instruction Label	Models BFNBYPASP113TW01, HFNBYPASG113CW01, HFNBYPASP113CW01, SFNBYPASG113TW01 and SFNBYPASP113TW01
	805912	Instruction Label	All other models

# Control Cabinet - 45 Degree Front Control Models

Models BFNBLBSP303AW01 and BFNBLBSP543NW01



FLW1774P\_806117

## Control Cabinet - 45 Degree Front Control Models

REF	PART NO.	DESCRIPTION	COMMENTS
	36226	Bumper Pad	4 required
1	804612	Control Bracket	
2	804472P	Control Assembly	
3	203361P	Machine ID Control Assembly	
4	804627W	Control Wrapper	White; Left
5	803761	Top Panel Guide	4 required
6	39733	Screw	4 required
7	805345	Rear Wrapper Brace	2 required
8	685847	Pop Rivet	
9	503688	Screw	6 required
10	804685WP	Top Panel	White
11	29651	Bolt	
12	804363	Control Shield	
13	804614	Rear Access Panel	
14	804630W	Control Wrapper	White; Right
15	70030501	Expansion Clip	
16	202869	Wiring Harness Assembly	Diagnostic
17	804613	Top Panel Brace Assembly	
18	804962	Control Panel Assembly	White
19	805395	Overlay	Model BFNBLBSP543NW01; Model BFNBLBSP303AW01 through Serial Nos. beginning 1509
	806190	Overlay	Model BFNBLBSP303AW01 starting Serial Nos. beginning 1509

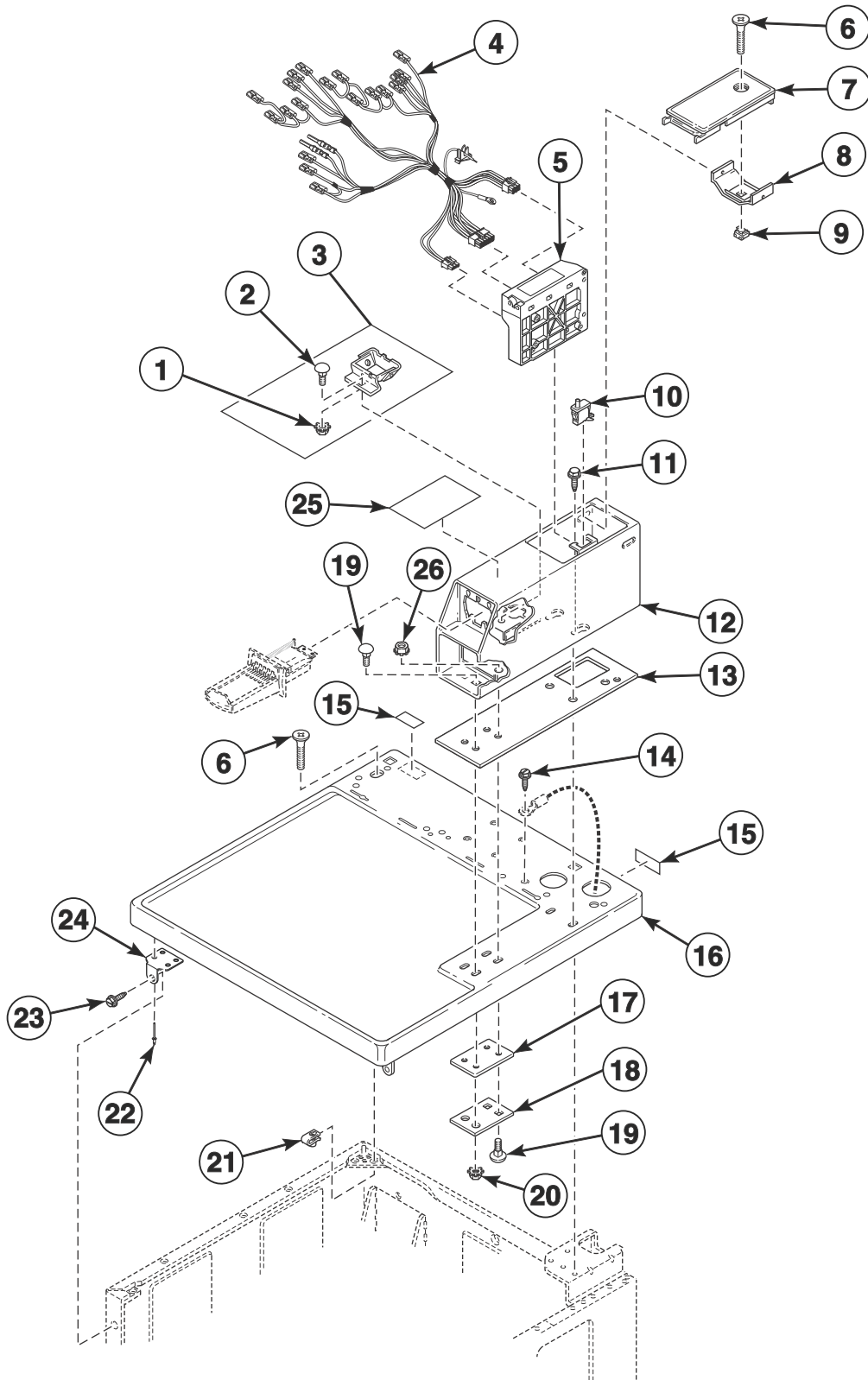


## Coin Drop, Meter Case and Service Door

REF	PART NO.	DESCRIPTION	COMMENTS
1	201091	Overlay	Model HFNBERSP113CW01
	38717	Single Overlay	All other models
	39073	Dual Overlay	All other models
2	38725	Coin Identification Paper	
3	70441601P	Coin Drop	United States; \$.25
	70441602	Coin Drop Assembly	Canada; .25/1.00
	CK077	Coin Drop Kit	Taiwan; 10 NT
	70281102	Coin Drop Assembly	Taiwan; 10/50 NT
4	29786	Nut	
5	200674P	Opto Coupler	
6	202870	Single Coin Harness Assembly	
	202871	Dual Coin Harness Assembly	
7	805830	Rear Control Operating Instruction Label	
8	36048	Screw	
9	512973	Switch	
10	39874WP	Service Door Assembly	White
11	503673	Screw	
12	30642	Meter Case Locking Bracket	
13	30647	Nut	
14	802505W	Meter Case Assembly	Model HFNBERSP113CW01
	803063WP	Meter Case Assembly Kit	Models SFNBKRSP113TW02 and SFNBXRSP113TW02
	803578P	Coin Box Extension Kit	Models SFNBKRSP113TW02 and SFNBXRSP113TW02; Use with 803063WP Meter Case Assembly Kit to extend shorter 7 inch coin boxes
	38724W	Meter Case Assembly	White; All other models
15	26354	Meter Case Gasket	
16	20530	Screw	
17	511527WP	Top Kit	
18	35526	Meter Case Bracket Gasket	
19	35525	Meter Case Lockdown Bracket	
20	02505	Bolt	
21	27222	Nut	
22	70058501	Pop Rivet	
23	503661	Screw	
24	510146	Bracket	
25	201595P	Wire Guard	Anti-stringing security device
26	802337	Nut	

# Meter Case, Service Door and Cabinet Top

Models HFNSXRSP113CW01, SFNSXRSP113CW02, SFNSXRSP113TQ01, SFNSXRSP113TW01 and SFNSXRSP113TW02



FLW1777P\_806117

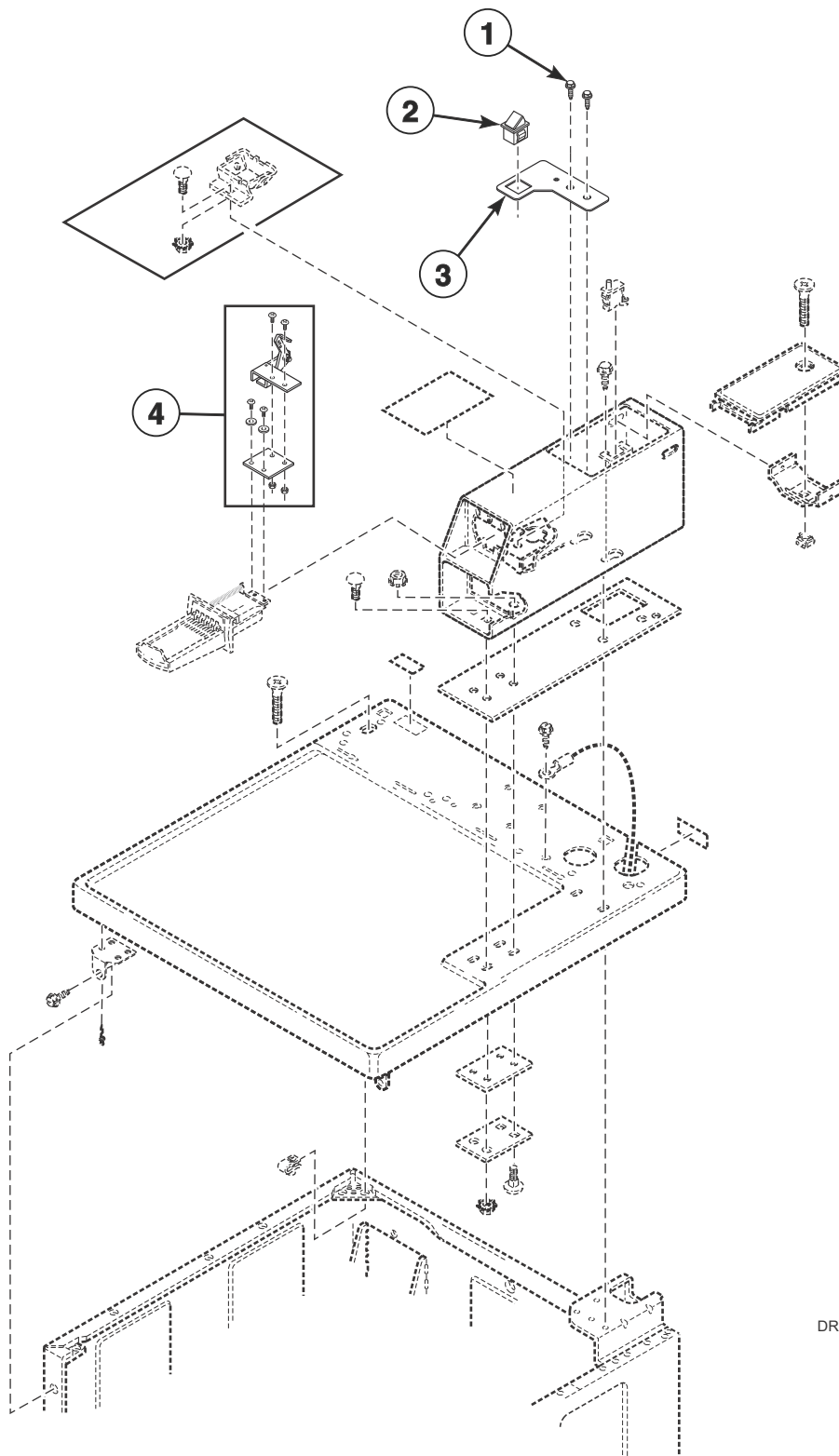


## Meter Case, Service Door and Cabinet Top

REF	PART NO.	DESCRIPTION	COMMENTS
1	M412986	Nut	
2	29651	Bolt	
3	523P3	Coin Funnel Kit	
4	806156	Rear Control Harness	
5	804474P	Control Assembly	
6	503673	Screw	
7	39874WP	Service Door Assembly	White
	39874QP	Service Door Assembly	Bisque
8	30642	Meter Case Locking Bracket	
9	30647	Nut	
10	512973	Switch	
11	36048	Screw	
12	803576W	Meter Case Assembly	Models SFNSXRSP113CW02 and SFNSXRSP113TW02
	801330W	Meter Case Assembly	White; All other models
	801330Q	Meter Case Assembly	Bisque; All other models
13	26354	Meter Case Gasket	
14	20530	Screw	
15	500316	Warning Label	Models HFNSXRSP113CW01 and SFNSXRSP113CW02
	505281	Disconnect Power Warning Label	All other models
16	511527WP	Top Kit	White
	511527QP	Top Kit	Bisque
17	35526	Meter Case Bracket Gasket	
18	35525	Meter Case Lockdown Bracket	
19	02505	Bolt	
20	29786	Nut	
21	27222	Nut	
22	70058501	Pop Rivet	
23	503661	Screw	
24	510146	Bracket	
25	805830	Rear Control Operating Instruction Label	
26	802337	Nut	

# Coin Slide Extension

Models HFNSXRSP113CW01, SFNSXRSP113CW02, SFNSXRSP113TQ01, SFNSXRSP113TW01 and SFNSXRSP113TW02



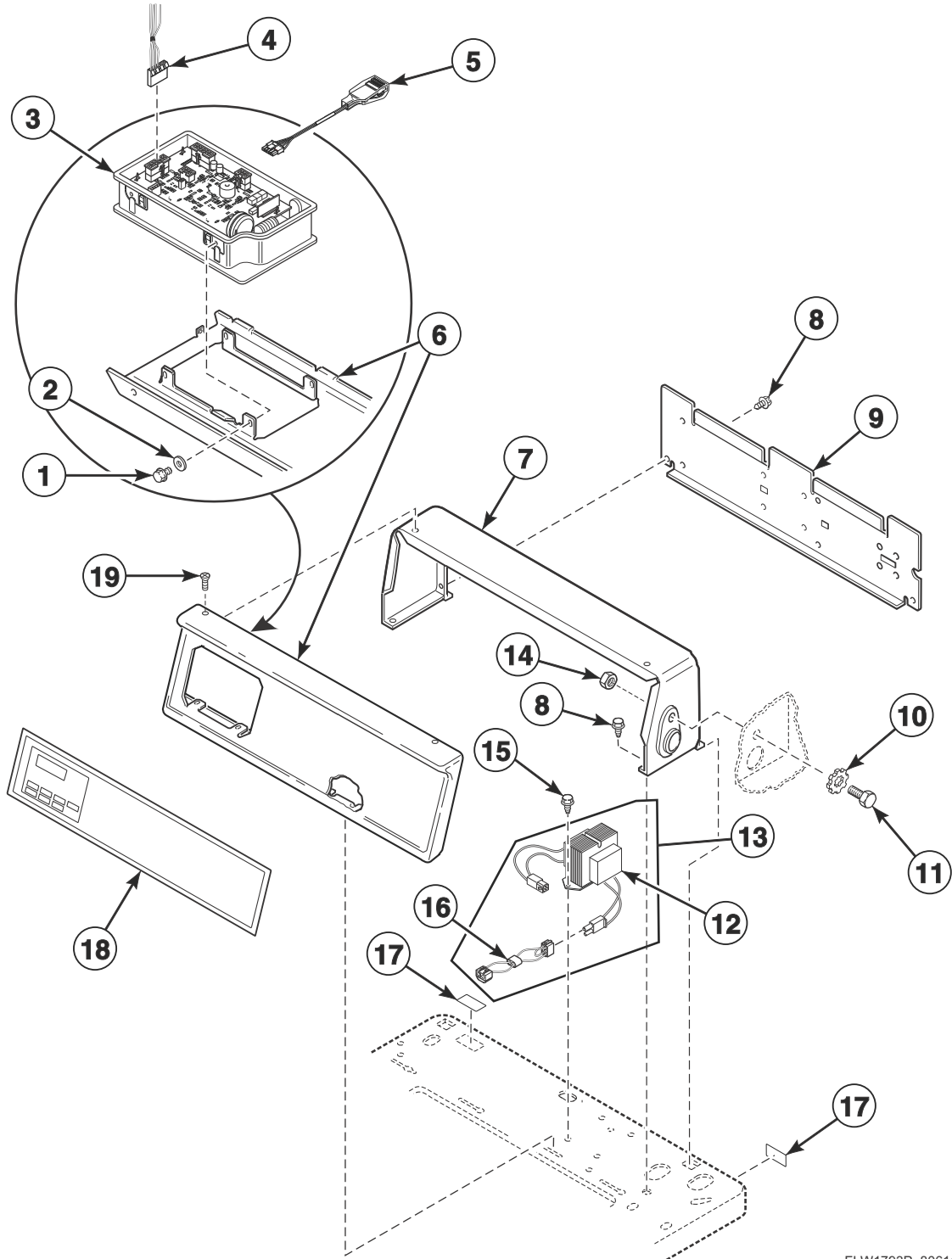
DRY2282P\_806117

## Coin Slide Extension

REF	PART NO.	DESCRIPTION	COMMENTS
1	503688	Screw	
2	431159	Switch	
3	803662	Bracket	
4	200913	Coin Slide Extension Kit	Includes spring and items 2 and 3
	804794	Spring	

# Control Panel, Control Hood and Controls (Drawing 1 of 3)

Models HFNBDRSP113CW01, HFNBDRSP113CW01, HFNBDRSP113CW01, HFNBXRSP113FW01, SFNBDRSP113TW01, SFNBDRSP113TW02, SFNBXRSP113TW01 and SFNBXRSP113TW02



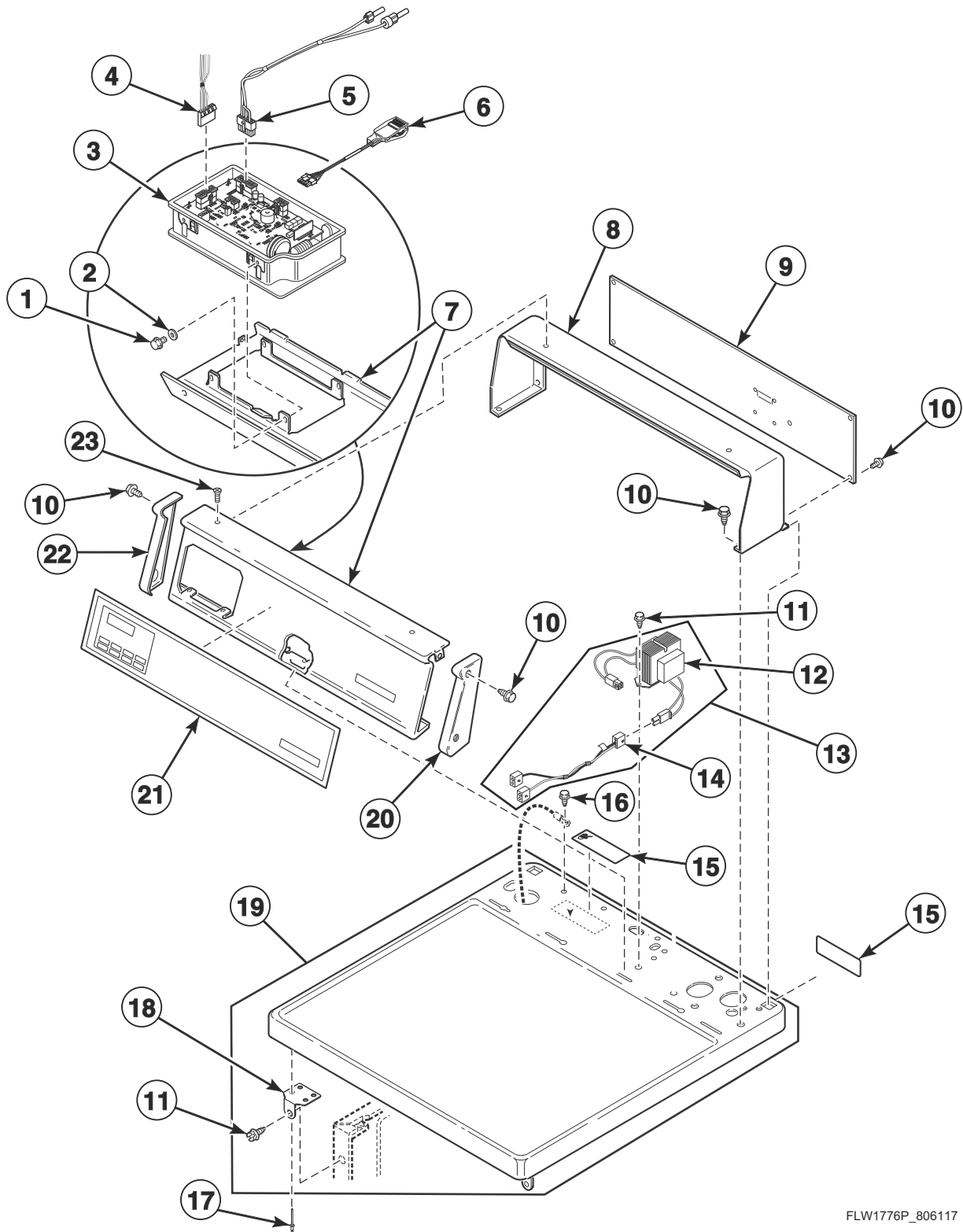
FLW1793P\_806117

## Control Panel, Control Hood and Controls (Drawing 1 of 3)

REF	PART NO.	DESCRIPTION	COMMENTS
1	501524	Screw	
2	200608	Washer	
3	804471P	Control Assembly	
4	805427	Central Pay Harness	
5	203361P	Machine ID Control Assembly	
6	800149W	Control Panel and Bracket Assembly	White
7	502567W	Control Hood	White
8	501086	Screw	
9	804886	Hood Back Panel	Models HFNBXRSP113FW01 and SFNBXRSP113TW02
	804223	Hood Back Panel	All other models
10	M400017	Washer	
11	02916	Screw	
12	202757	Transformer	
13	203423	Transformer Kit	Includes items 12 and 16
14	44087101	Nut	
15	503661	Screw	
16	804832	Harness	
17	500316	Warning Label	Models HFNBDRSP113CW01 and HFNBERSP113CW01
	505281	Disconnect Power Warning Label	All other models
18	805388	Overlay	Models SFNBDRSP113TW01, SFNBDRSP113TW02, SFNBXRSP113TW01 and SFNBXRSP113TW02
	805391	Overlay	All other models
19	52864	Screw	

# Control Panel, Control Hood and Controls (Drawing 2 of 3)

Models HFNBYRSP113CW01 and SFNBYRSP113TW01



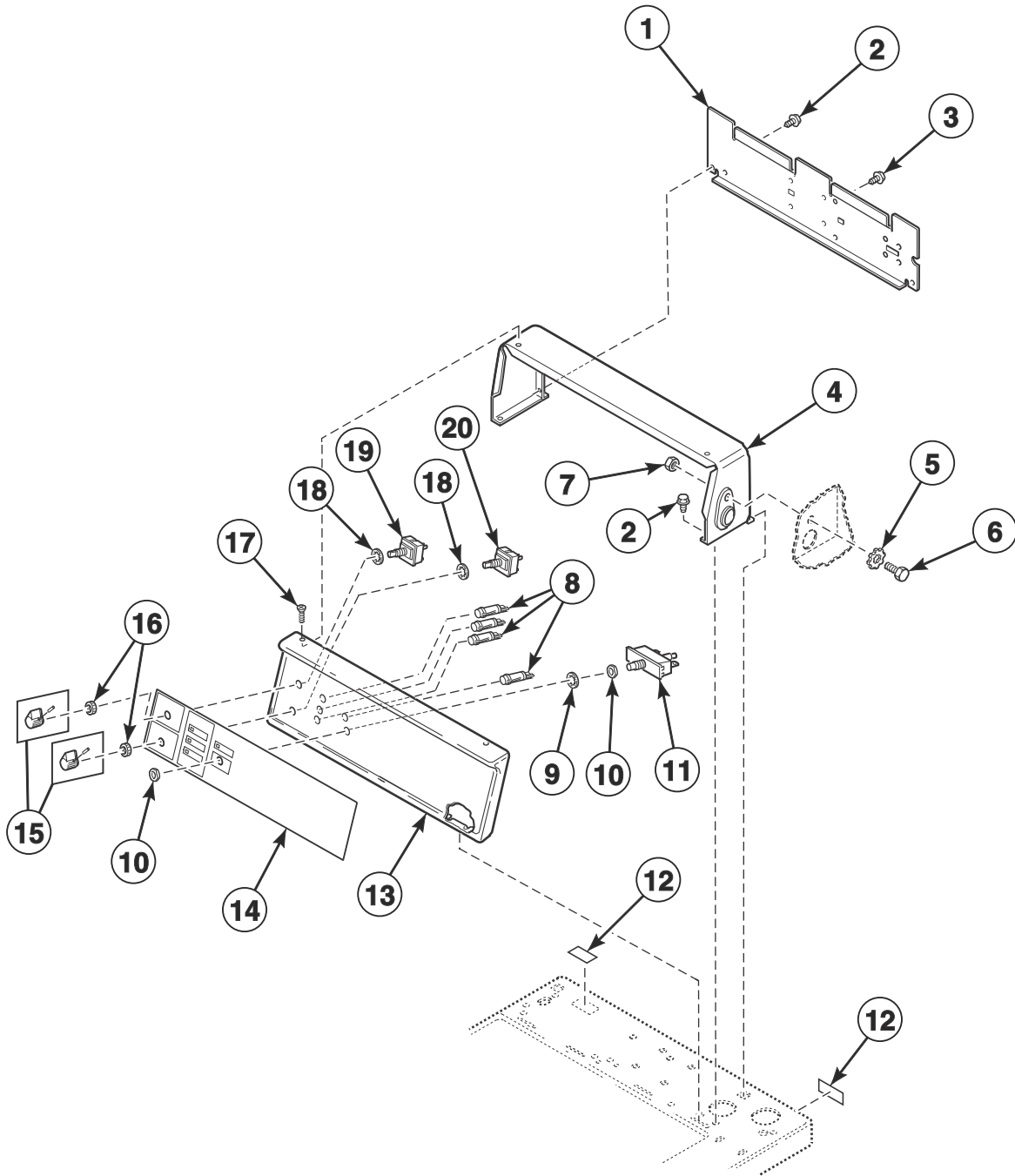
FLW1776P\_806117

## Control Panel, Control Hood and Controls (Drawing 2 of 3)

REF	PART NO.	DESCRIPTION	COMMENTS
1	501524	Screw	
2	200608	Washer	
3	804471P	Control Assembly	
4	805427	Central Pay Harness	
5	202869	Wiring Harness Assembly	Diagnostic
6	203361P	Machine ID Control Assembly	
7	800710W	Control Panel and Stud Assembly	White
8	511253W	Control Hood	White
9	511254	Rear Panel	
10	501086	Screw	
11	503661	Screw	
12	202757	Transformer	
13	203423	Transformer Kit	Includes items 12 and 14
14	804832	Harness	
15	500316	Warning Label	Model HFNBYRSP113CW01
	505281	Disconnect Power Warning Label	Model SFNBYRSP113TW01
16	20530	Screw	
17	70058501	Pop Rivet	
18	510146	Bracket	
19	511530WP	Top Panel Kit	Includes items 11 and 17
20	210108W	End Cap	Right
21	805389	Overlay	Model SFNBYRSP113TW01
	805392	Overlay	Model HFNBYRSP113CW01
22	210109W	End Cap	Left
23	52864	Screw	

# Control Panel, Control Hood and Controls (Drawing 3 of 3)

Models HFNSXRSP113CW01, SFNSXRSP113CW02, SFNSXRSP113TQ01, SFNSXRSP113TW01 and SFNSXRSP113TW02



FLW1807P\_806117

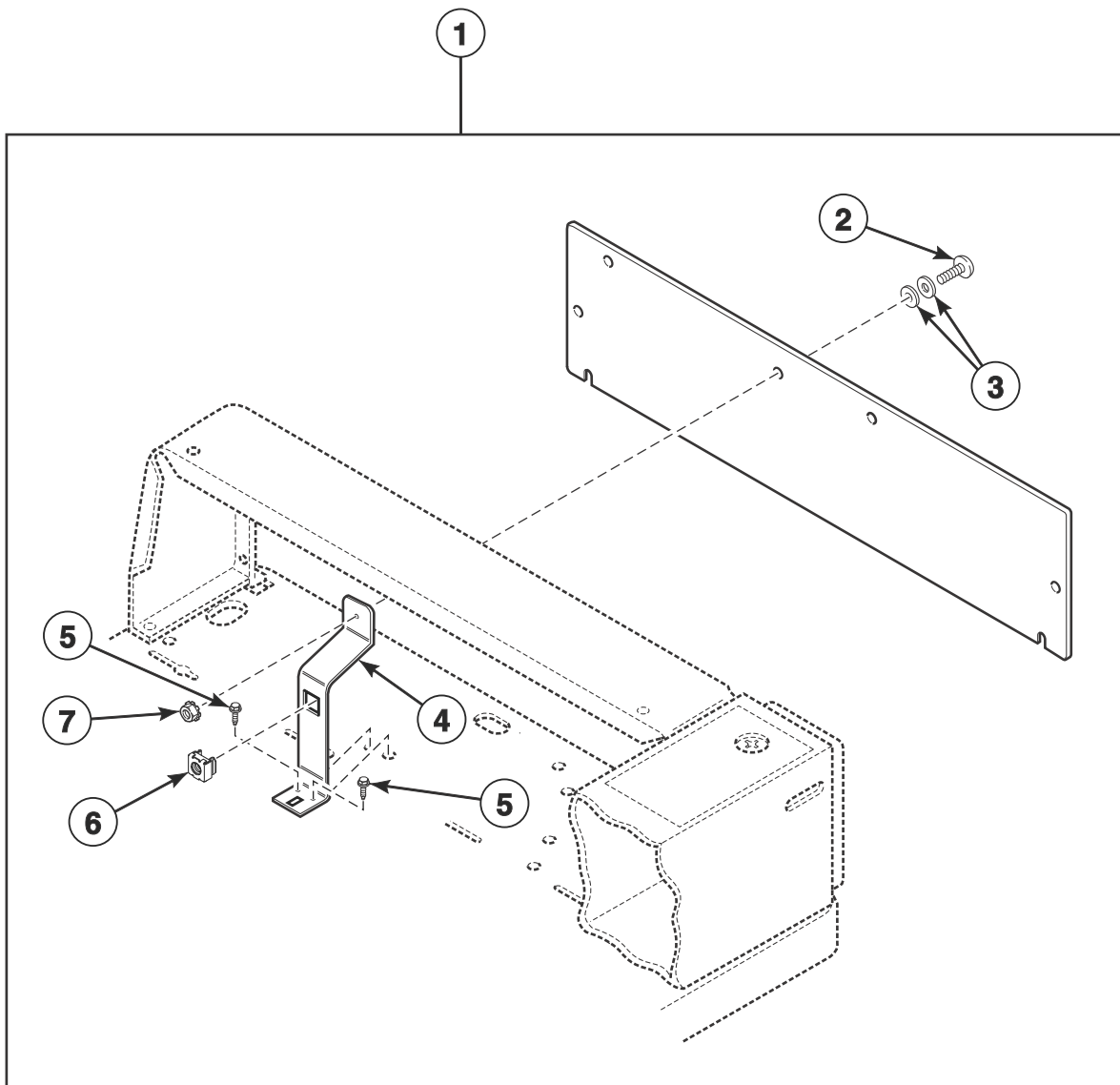


## Control Panel, Control Hood and Controls (Drawing 3 of 3)

REF	PART NO.	DESCRIPTION	COMMENTS
1	804886	Hood Back Panel	
2	501086	Screw	
3	804608	Screw	
4	502567W	Control Hood	White
	502567Q	Control Hood	Bisque
5	M400017	Washer	
6	02916	Screw	
7	44087101	Nut	
8	801431	Light	Green
9	25820	Washer	
10	52947	Nut	
11	55882	Switch Assembly	
12	500316	Warning Label	Models HFNSXRSP113CW01 and SFNSXRSP113CW02
	505281	Disconnect Power Warning Label	All other models
13	800142W	Control Panel and Bracket Assembly	White
	800142Q	Control Panel and Bracket Assembly	Bisque
14	805390	Overlay	Model HFNSXRSP113CW01
	804952	Overlay	All other models
15	39897	Switch Knob	
16	24205	Nut	
17	52864	Screw	
18	91176	Washer	
19	685595	Temperature Switch	
20	800404	Motor Speed Switch	

# Control Hood Security Kit

Models HFNBCRSP113TW01, HFNBDRSP113CW01, HFNBERSP113CW01, HFNBXRSP113FW01, SFNBCRSP113TW01, SFNBCRSP113TW02, SFNBXRSP113TW01 and SFNBXRSP113TW02

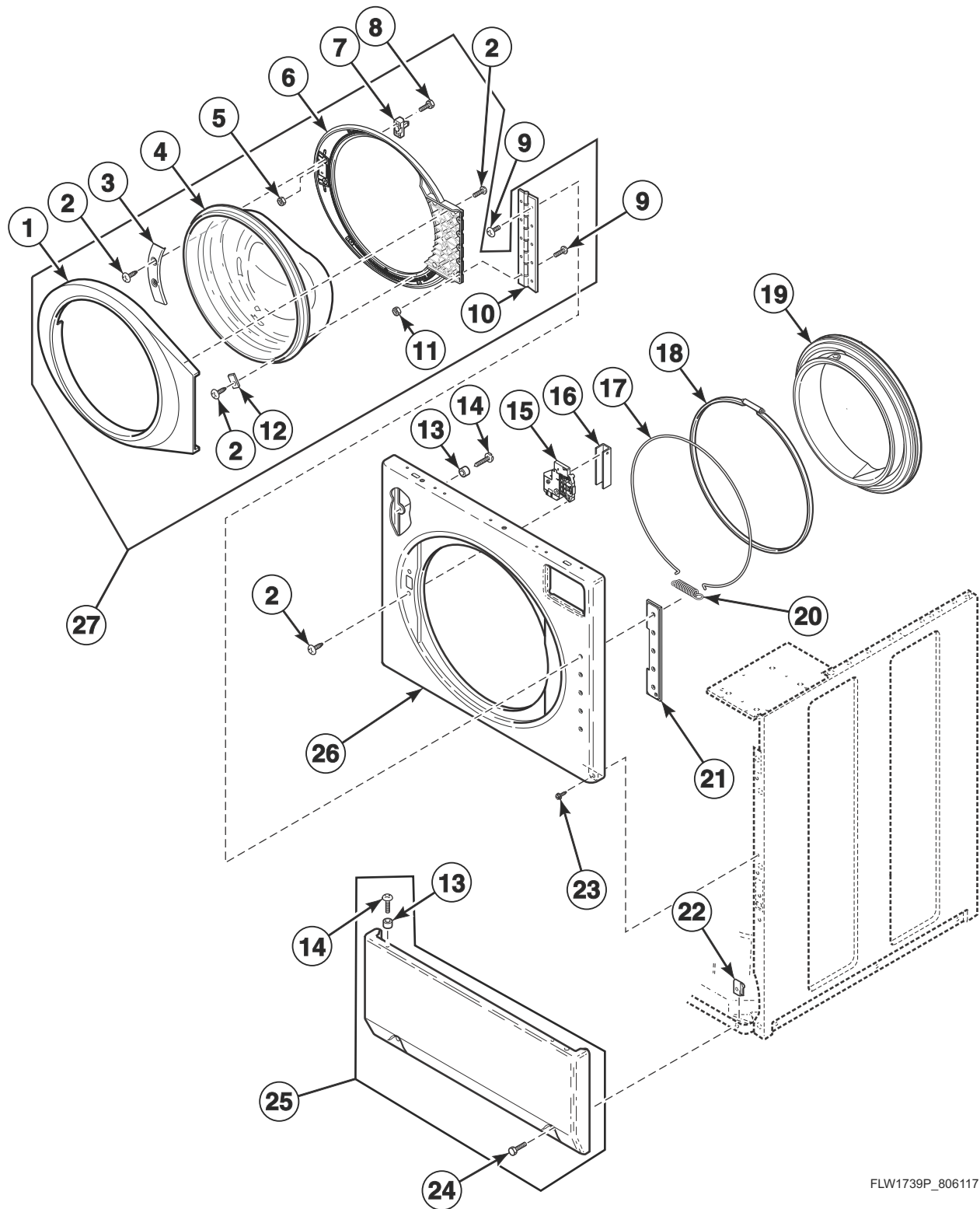


FLW963P\_806117

# Control Hood Security Kit

REF	PART NO.	DESCRIPTION	COMMENTS
1	905P3	Security Kit	Includes items 2-7 and rear panel
2	32184	Bolt	
3	25100	Washer	
4	201918	Bracket	
5	503688	Screw	
6	30647	Nut	
7	23951	Nut	

# Front Panel, Door Assembly and Door Seal



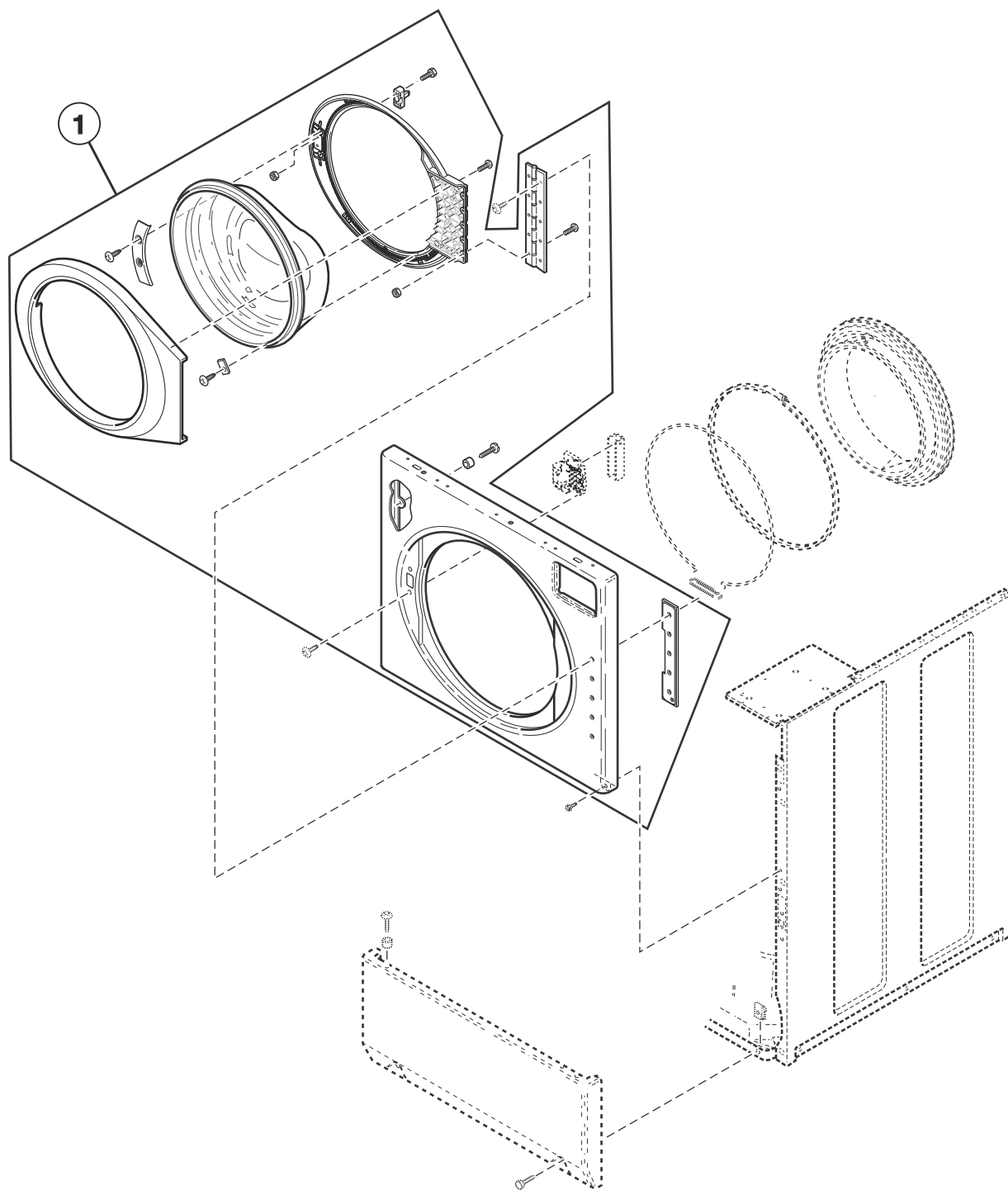
FLW1739P\_806117

## Front Panel, Door Assembly and Door Seal

REF	PART NO.	DESCRIPTION	COMMENTS
1	803710WP	Outer Door Bezel	White
	803710BP	Outer Door Bezel	Black
	803710QP	Outer Door Bezel	Bisque
	803711P	Outer Door Bezel	Gray
2	800548	Screw	
3	804239	Door Glass Mounting Plate	
4	802695P	Door Glass	
5	685846	Nut	
6	802307P	Inner Door Bezel Kit	
	804562	Inner Door Bezel	Glass filled polypropylene upgrade
7	802803	Door Catch Assembly	
8	801993	Screw	
9	801019	Screw	
10	802934	Door Hinge	
11	23951	Nut	
12	802700	Glass Mounting Clip	
13	56079	Panel Locator	
14	39733	Screw	Use with painted panels
	806276	Screw	Use with stainless steel panels
15	803920	Door Latch Assembly	
16	804784	Door Lock Drip Shield	Models BFNBLBSP303AW01, BFNBXASP113FW01, BFNBXASP303AW01, HFNBXASP113FQ01, HFNBXASP113FW01, HFNBXASP123DW01, HFNBXASP543DW01, SFNBXASG113JW01, SFNBXASP113FW01, SFNBXASP123DW01, SFNBXASP303AW01, SFNBXASP303AW12, SFNBXASP303ZQ01, SFNBXASP303ZW01 and SFNBXASP543DW01
17	802283	Wire Clamp Ring	
18	802281	Hose Clamp	
19	804428P	Door Seal	Black
	804429P	Door Seal Assembly	Gray
20	802285	Extension Spring	
21	802206	Hinge Plate	
22	36020	Nut	
23	503661	Screw	
24	801045	Screw	Use with painted panels
	806086	Screw	Use with stainless steel panels
25	804617W	Access Panel Assembly	White
	804617Q	Access Panel Assembly	Bisque
	804618	Access Panel Assembly	Stainless steel
26	802277WP	Front Panel	White
	802277QP	Front Panel	Bisque
	802288P	Front Panel	Stainless steel
27	804083WP	Door Assembly	White; Includes items 1-8, 10-12
	804083QP	Door Assembly	Bisque; Includes items 1-8, 10-12
	805550	Door Assembly	Black; Includes items 1-8, 10-12
	804210	Door Assembly	Gray; Includes items 1-8, 10-12

# Front Panel Assembly

Models BFNBCASG113TN01, BFNBCASG113TW01, BFNBCASP113TW01, BFNBYASP113TW01, HFNBCASG113TN01, HFNBCASG113TW01, HFNBCASP113TN01, HFNBCASP113TW01, HFNBKRSP113TW01, HFNKCASG113TN01, HFNKCASG113TN31, HFNKCASG113TN32, HFNKCASG113TW01, HFNKCASP113TN01, HFNKCASP113TN31, HFNKCASP113TN32, HFNKCASP113TW01, SFNBCASG113TW01, SFNBCASP113TW01, SFNBKRSP113TW01, SFNBKRSP113TW02, SFNBXASG113TW01, SFNBXASP113TW01, SFNBXRSP113TW01, SFNBXRSP113TW02, SFNBYASG113TW01, SFNBYASP113TW01, SFNBYRSP113TW01, SFNSXRSP113TW01 and SFNSXRSP113TW02

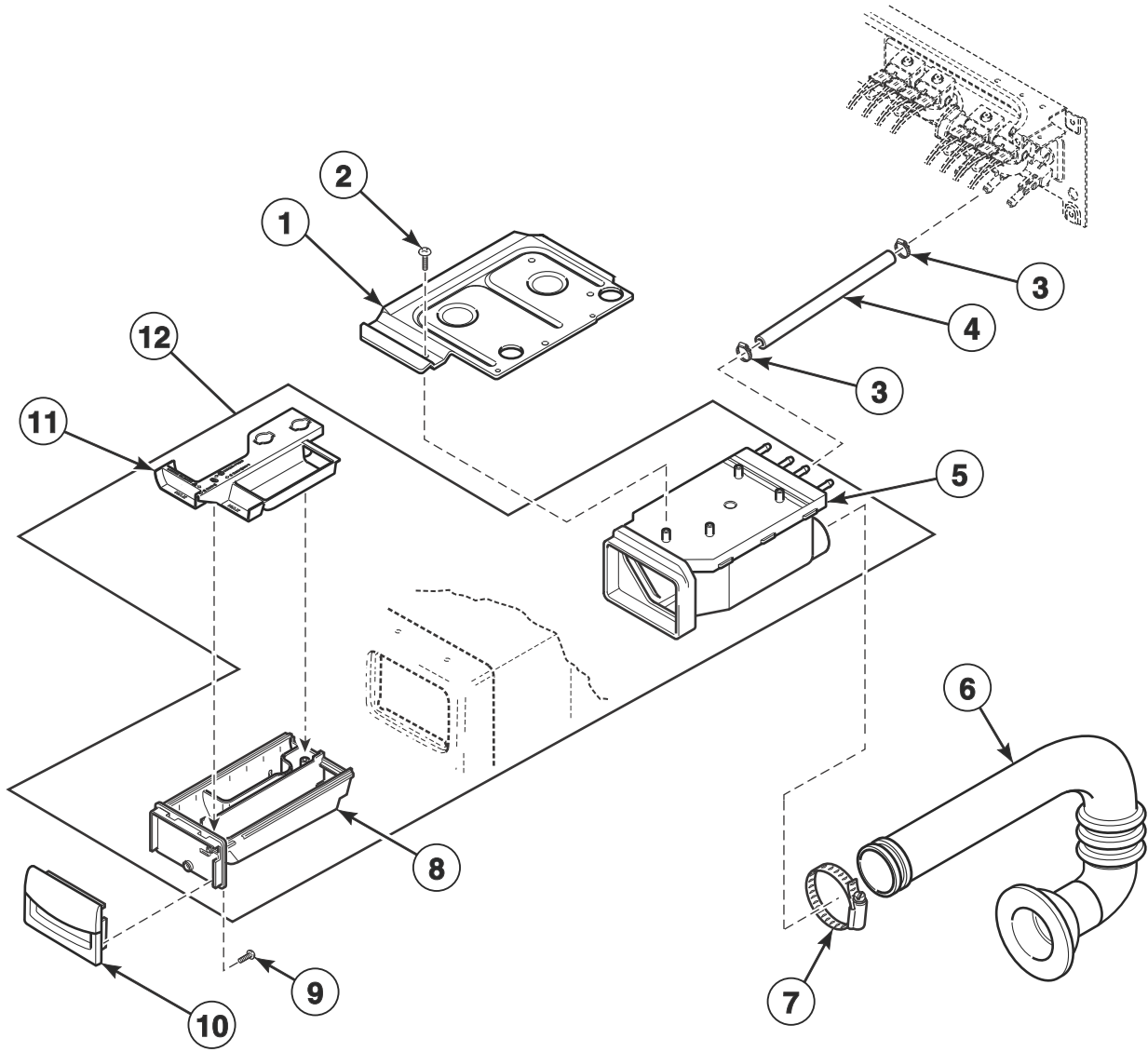


FLW1739PA\_806117

# Front Panel Assembly

REF	PART NO.	DESCRIPTION	COMMENTS
1	806505W	Front Panel Assembly Kit	White
	806560	Front Panel Assembly Kit	Stainless steel

# Dispenser Assembly



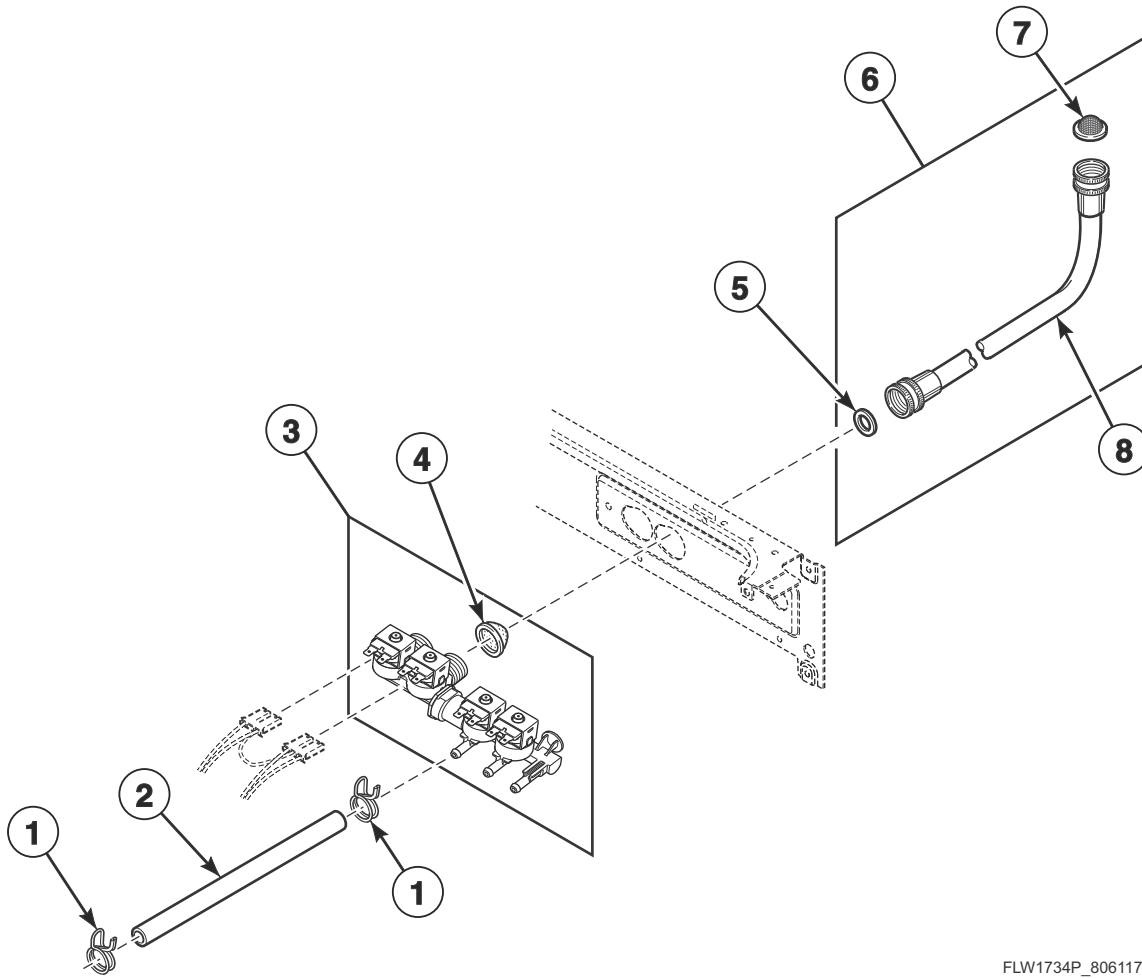
FLW1717P\_806117



# Dispenser Assembly

REF	PART NO.	DESCRIPTION	COMMENTS
	804875	Foam Pad	
	805772	Chemical Injection Conversion Kit	
1	803843	Dispenser Plate	
2	801001	Screw	
3	804173	Hose Clamp	
4	803849	Dispenser Inlet Hose	
5	803698	Dispenser Assembly	
6	804717	Detergent Hose	
7	685725	Hose Clamp	
8	803667	Dispenser Drawer	
9	800548	Screw	
10	804227WP	Dispenser Handle	White
	804227B	Dispenser Handle	Black
	804227Q	Dispenser Handle	Bisque
11	803669	Compartment Cover	Models HFNKCASG113TN01, HFNKCASG113TN31, HFNKCASG113TN32, HFNKCASG113TW01, HFNKCASP113TN01, HFNKCASP113TN31, HFNKCASP113TN32, HFNKCASP113TW01, HFNKDASG113CN01, HFNKDASG113CN31, HFNKDASG113CN32, HFNKDASG113CW01, HFNKDASP113CN01, HFNKDASP113CN31, HFNKDASP113CN32, HFNKDASP113CW01, HFNKXASG113CN01, HFNKXASG113CN31, HFNKXASG113CN32, HFNKXASG113CW01, HFNKXASP113CN01, HFNKXASP113CN31, HFNKXASP113CN32, HFNKXASP113CW01, HFNKYASG113CN01, HFNKYASG113CN31, HFNKYASG113CN32, HFNKYASG113CW01, HFNKYASP113CN01, HFNKYASP113CN31, HFNKYASP113CN32 and HFNKYASP113CW01
	803670	Compartment Cover	All other models
12	805495P	Dispenser Assembly	Includes items 5, 8, 11 and 804875 Foam Pad

# Mixing Valve, Inlet Hose and Dispenser Hose

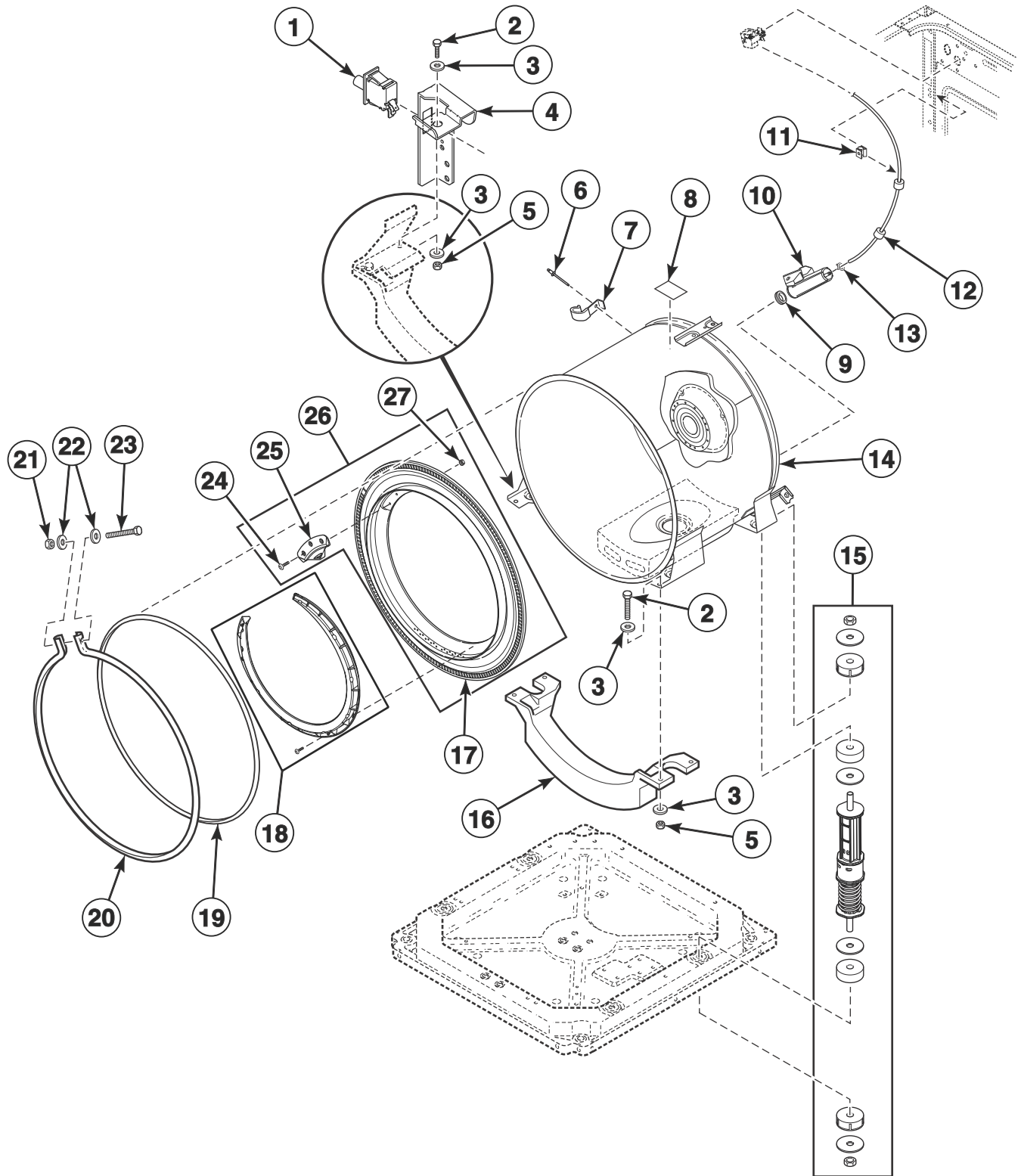


FLW1734P\_806117

## Mixing Valve, Inlet Hose and Dispenser Hose

REF	PART NO.	DESCRIPTION	COMMENTS
	804783	Mixing Valve Shield	Models BFNBLBSP303AW01, BFNBXASP113FW01, BFNBXASP303AW01, HFNBXASP113FQ01, HFNBXASP113FW01, HFNBXASP123DW01, HFNBXASP543DW01, SFNBXASG113JW01, SFNBXASP113FW01, SFNBXASP123DW01, SFNBXASP303AW01, SFNBXASP303AW12, SFNBXASP303ZQ01, SFNBXASP303ZW01 and SFNBXASP543DW01
1	804173	Hose Clamp	
2	803849	Dispenser Inlet Hose	
3	803838P	Mixing Valve	240 Volt; Models BFNBLBSP303AW01, BFNBLBSP543NW01, BFNBXASP303AW01, HFNBXASP303NW22, HFNBXASP543DW01, SFNBXASP303AW01, SFNBXASP303AW12, SFNBXASP303NW22, SFNBXASP303ZQ01, SFNBXASP303ZW01 and SFNBXASP543DW01
	803809	Mixing Valve	120 Volt; All other models
4	24122	Mixing Valve Screen	
5	20290	Washer	
6	203675	Hose and Washers Kit	4 feet; Hose is equipped with 1 standard and 1 BSPP hose couplings; Includes items 5 and 8; Models BFNBLBSP303AW01, BFNBLBSP543NW01, BFNBXASP303AW01, HFNBXASP113FQ01, HFNBXASP113FW01, HFNBXASP123DW01, HFNBXASP303NW22, HFNBXASP543DW01, SFNBXASG113JW01, SFNBXASP113FW01, SFNBXASP123DW01, SFNBXASP303AW01, SFNBXASP303AW12, SFNBXASP303NW22, SFNBXASP303ZQ01, SFNBXASP303ZW01 and SFNBXASP543DW01
	203676	Hose and Washers Kit	4 feet; Hose is equipped with 2 standard hose couplings; Includes items 5 and 8; Models BFNBXASP113FW01, HFNBXASP123DW01, HFNBXASP543DW01, SFNBXASP123DW01 and SFNBXASP543DW01
	F200116	Water Hose	5 feet; Hose is equipped with 2 standard hose couplings; Includes items 5, 7 and 8; All other models
7	803615	Washer	Filter screen
	802254	Washer	Flow restrictor; Water pressure reducer; Available for water pressure up to but not exceeding 120 psi
8	202799	Fill Hose	4 feet; Hose is equipped with 2 standard hose couplings; Models BFNBXASP113FW01, HFNBXASP123DW01, HFNBXASP543DW01, SFNBXASP123DW01 and SFNBXASP543DW01
	202800	Fill Hose	4 feet; Hose is equipped with 1 standard and 1 BSPP hose couplings; Models BFNBLBSP303AW01, BFNBLBSP543NW01, BFNBXASP303AW01, HFNBXASP113FQ01, HFNBXASP113FW01, HFNBXASP123DW01, HFNBXASP303NW22, HFNBXASP543DW01, SFNBXASG113JW01, SFNBXASP113FW01, SFNBXASP123DW01, SFNBXASP303AW01, SFNBXASP303AW12, SFNBXASP303NW22, SFNBXASP303ZQ01, SFNBXASP303ZW01 and SFNBXASP543DW01
	202931	Fill Hose	10 feet; Hose is equipped with 1 standard and 1 BSPP hose couplings; Models BFNBLBSP303AW01, BFNBLBSP543NW01, BFNBXASP303AW01, HFNBXASP113FQ01, HFNBXASP113FW01, HFNBXASP303NW22, SFNBXASG113JW01, SFNBXASP113FW01, SFNBXASP303AW01, SFNBXASP303AW12, SFNBXASP303NW22, SFNBXASP303ZQ01 and SFNBXASP303ZW01
	20617	Fill Hose	8 feet; Hose is equipped with 2 standard hose couplings; All other models
	20618	Fill Hose	10 feet; Hose is equipped with 2 standard hose couplings; All other models

# Outer Tub, Clamp Ring and Shock Absorbers

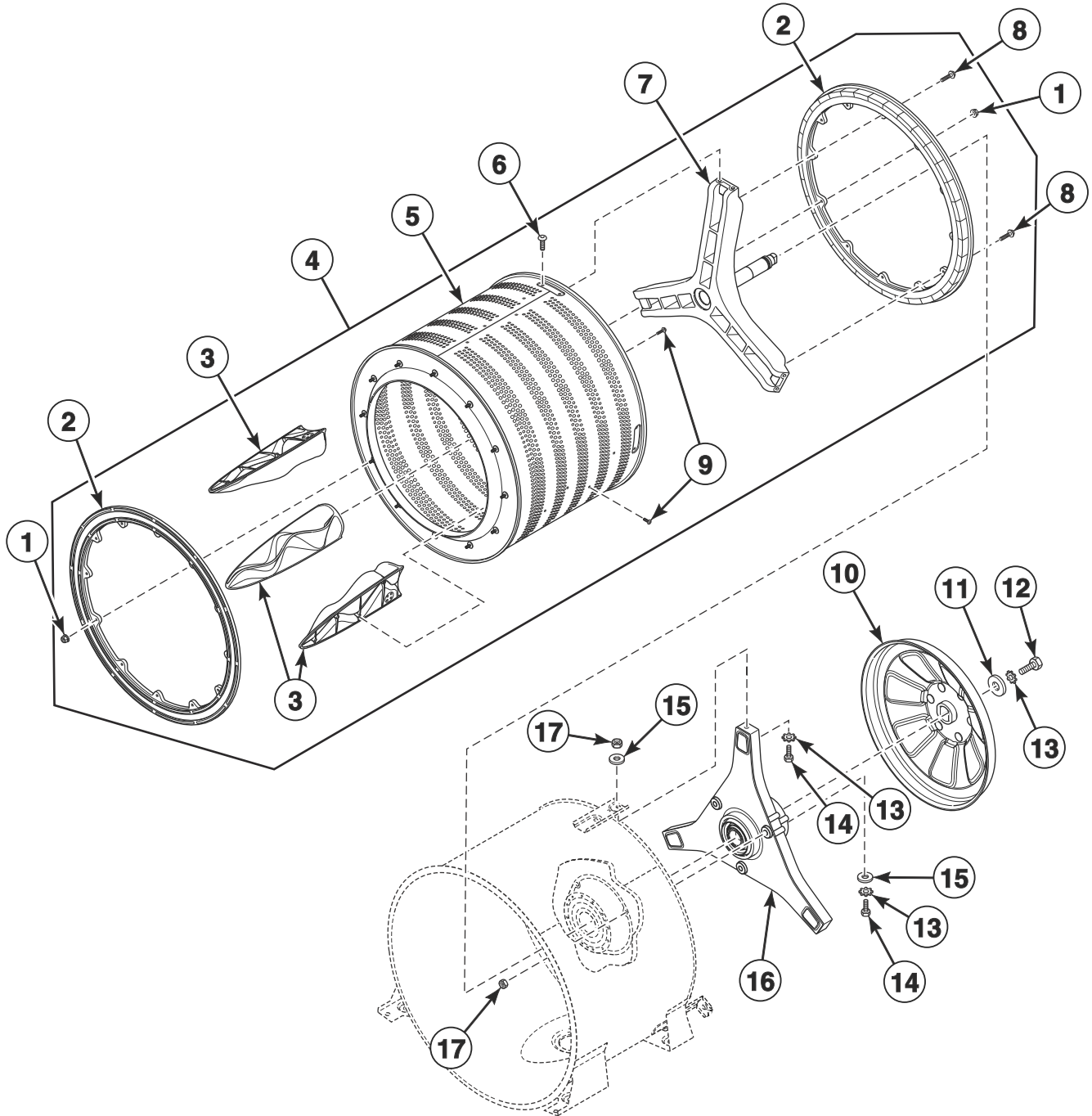


FLW1809P\_806117

## Outer Tub, Clamp Ring and Shock Absorbers

REF	PART NO.	DESCRIPTION	COMMENTS
1	803415	Out-of-Balance Switch Assembly	
2	800461	Screw	
3	804458	Washer	
4	804457	Out-of-Balance Switch Bracket	
5	800452	Nut	
6	685847	Pop Rivet	
7	800553	Hose Clip	
8	500049	Warning Label	
9	29175	Grommet	
10	803837	Pressure Bulb	
11	36985	Hose Clip	
12	804483	Pressure Sensor Tube Assembly	
13	803891	Hose Clamp	
14	803864	Outer Tub Assembly	
15	803777	Shock Assembly	Must replace all four
16	803810	Counterweight	
17	803770	Tub Front	
18	806308	Foreign Object Deflector	Black; Includes screws
	806313	Foreign Object Deflector	Tall; Gray; Includes screws
19	803801	Tub Front Seal	
20	803802	Clamp Ring	
21	F430218	Nut	
22	M400081	Washer	8 required
23	800462	Screw	
24	802596	Screw	
25	804467	Clothes Guard Deflector	
	805548	Clothes Guard Deflector	Heavy duty
26	803879	Tub Front Assembly	Includes items 17, 24, 25 and 27
27	802343	Nut	

# Inner Basket, Trunnion, Bearing Housing and Pulley

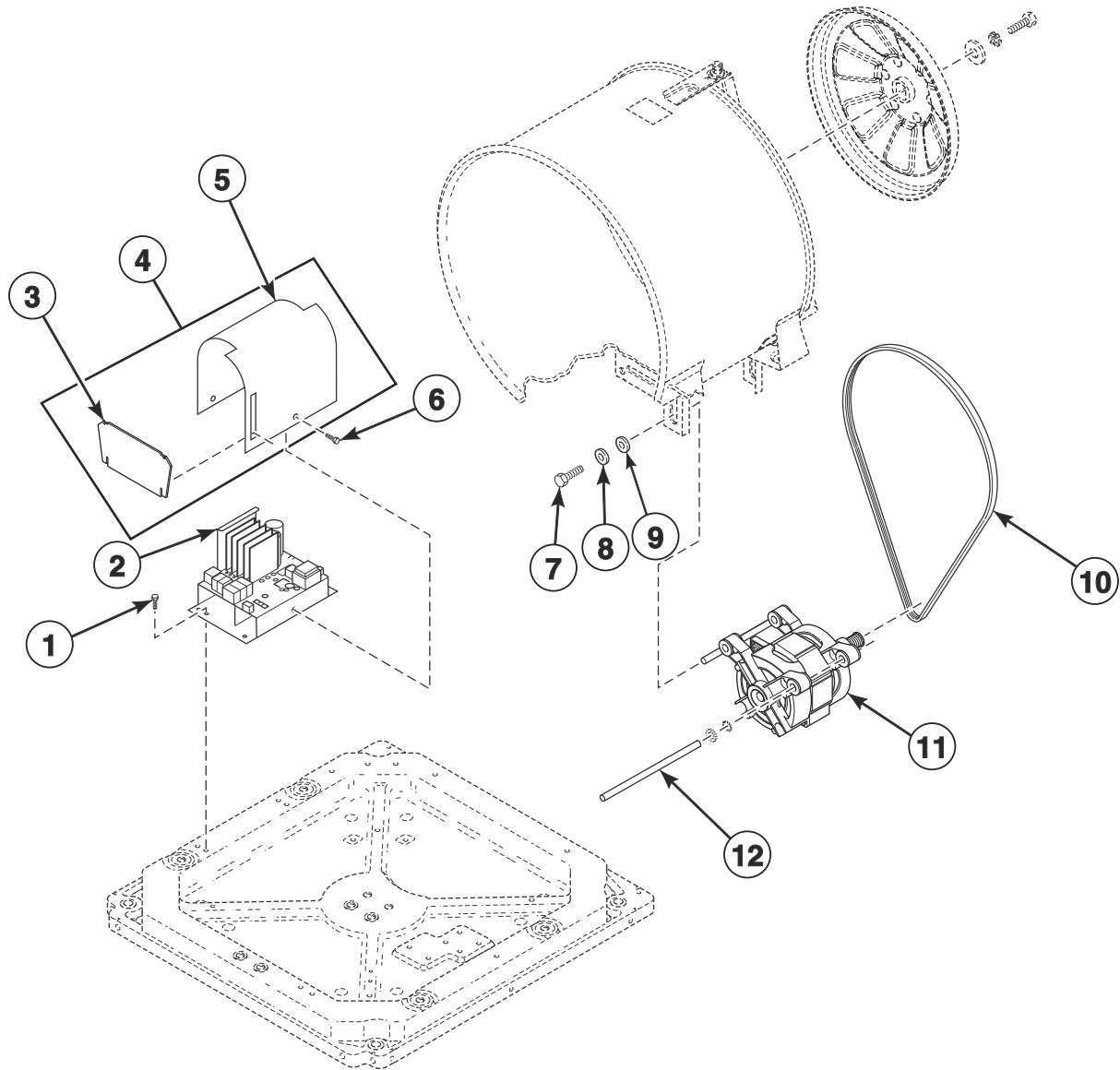


FLW1803P\_806117

## Inner Basket, Trunnion, Bearing Housing and Pulley

REF	PART NO.	DESCRIPTION	COMMENTS
	27604P	Anti-Seize Compound	Pulley to inner basket shaft
1	804418	Nut	
2	804393	Balance Ring Assembly	
3	804382	Lifter	
4	805485	Inner Basket Assembly	Model SFNBXASP303AW12
	804376P	Inner Basket Assembly Kit	All other models
5	804374P	Inner Basket Assembly	
6	804699	Screw	
7	804405	Trunnion Assembly	
8	804399	Screw	
9	800548	Screw	
10	803974	Pulley Assembly	
11	800464	Washer	
12	685831	Screw	Left hand thread
13	M403958	Washer	
14	M400043	Screw	
15	M400081	Washer	
16	805525	Bearing Housing Kit	Includes hardware and tool
17	800452	Nut	

# Motor and Belt



FLW1794P\_806117

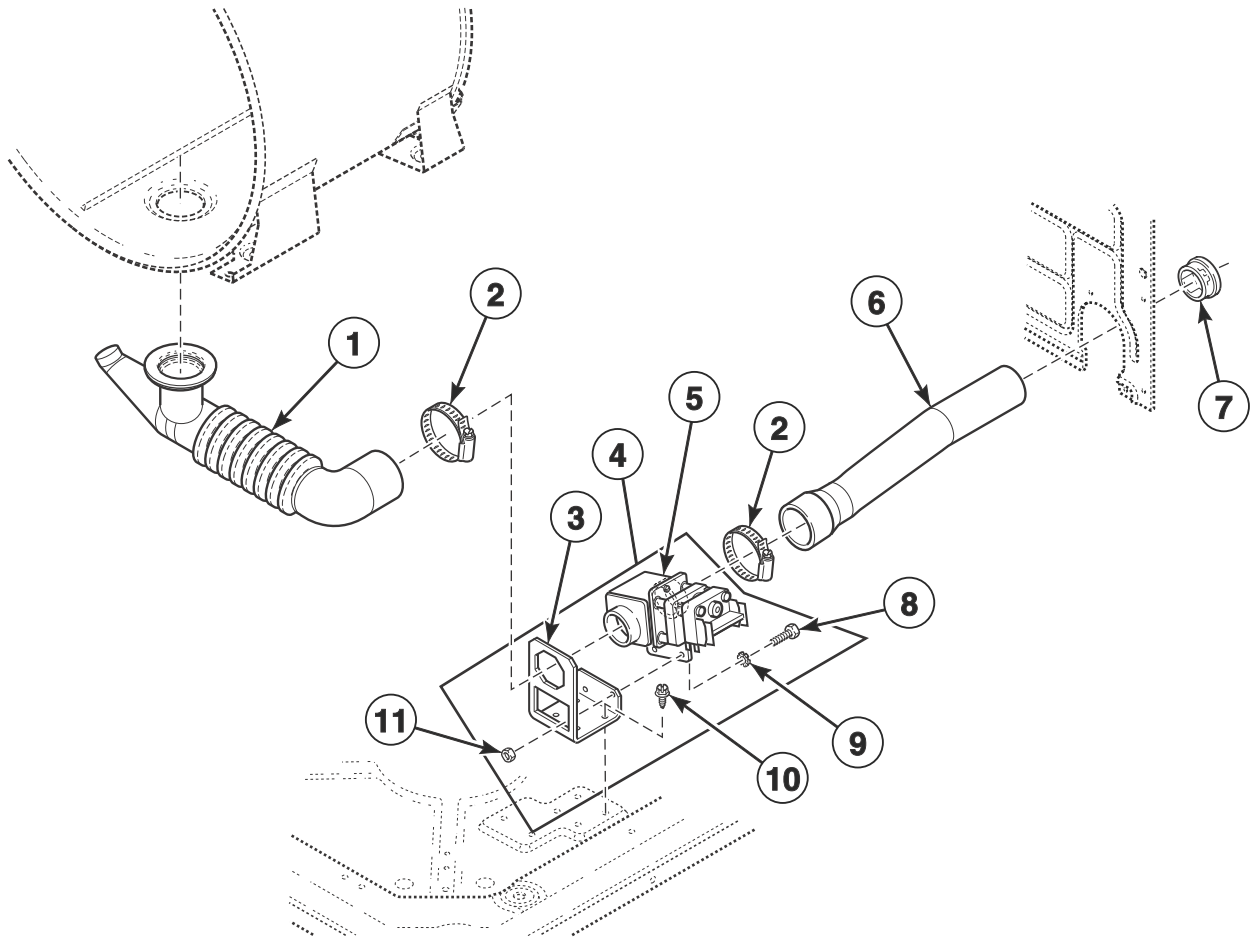


## Motor and Belt

REF	PART NO.	DESCRIPTION	COMMENTS
1	503661	Screw	
2	803949P	Inverter Control Assembly	
3	806258	End Shield	Models BFNBLBSP303AW01, BFNBXASP113FW01, BFNBXASP303AW01, HFNBXASP113FQ01, HFNBXASP113FW01, HFNBXASP123DW01, HFNBXASP543DW01, SFNBXASG113JW01, SFNBXASP113FW01, SFNBXASP123DW01, SFNBXASP303AW01, SFNBXASP303AW12, SFNBXASP303ZQ01, SFNBXASP303ZW01 and SFNBXASP543DW01
4	806498	Motor Control Shield	Includes items 3 and 5; Models BFNBLBSP303AW01, BFNBXASP113FW01, BFNBXASP303AW01, HFNBXASP113FQ01, HFNBXASP113FW01, HFNBXASP123DW01, HFNBXASP543DW01, SFNBXASG113JW01, SFNBXASP113FW01, SFNBXASP123DW01, SFNBXASP303AW01, SFNBXASP303AW12, SFNBXASP303ZQ01, SFNBXASP303ZW01 and SFNBXASP543DW01
5	804878	Motor Control Shield	
6	501524	Screw	
7	M400057	Screw	
8	02834	Washer	
9	M400080	Washer	
10	804985	Drive Belt	
11	805726P	Motor and Rod Assembly Kit	Includes item 12
12	803861	Motor Rod	

# Drain Hoses and Valve

Models BFNBCASG113TN01, BFNBCASG113TW01, HFNBCASG113TN01, HFNBCASG113TQ01, HFNBCASG113TW01, HFNB DASG113CW01, HFNB YASG113CW01, SFNBCASG113TQ01, SFNBCASG113TW01, SFNB XASG083JW01, SFNB XASG113TQ01, SFNB XASG113TW01 and SFNB YASG113TW01



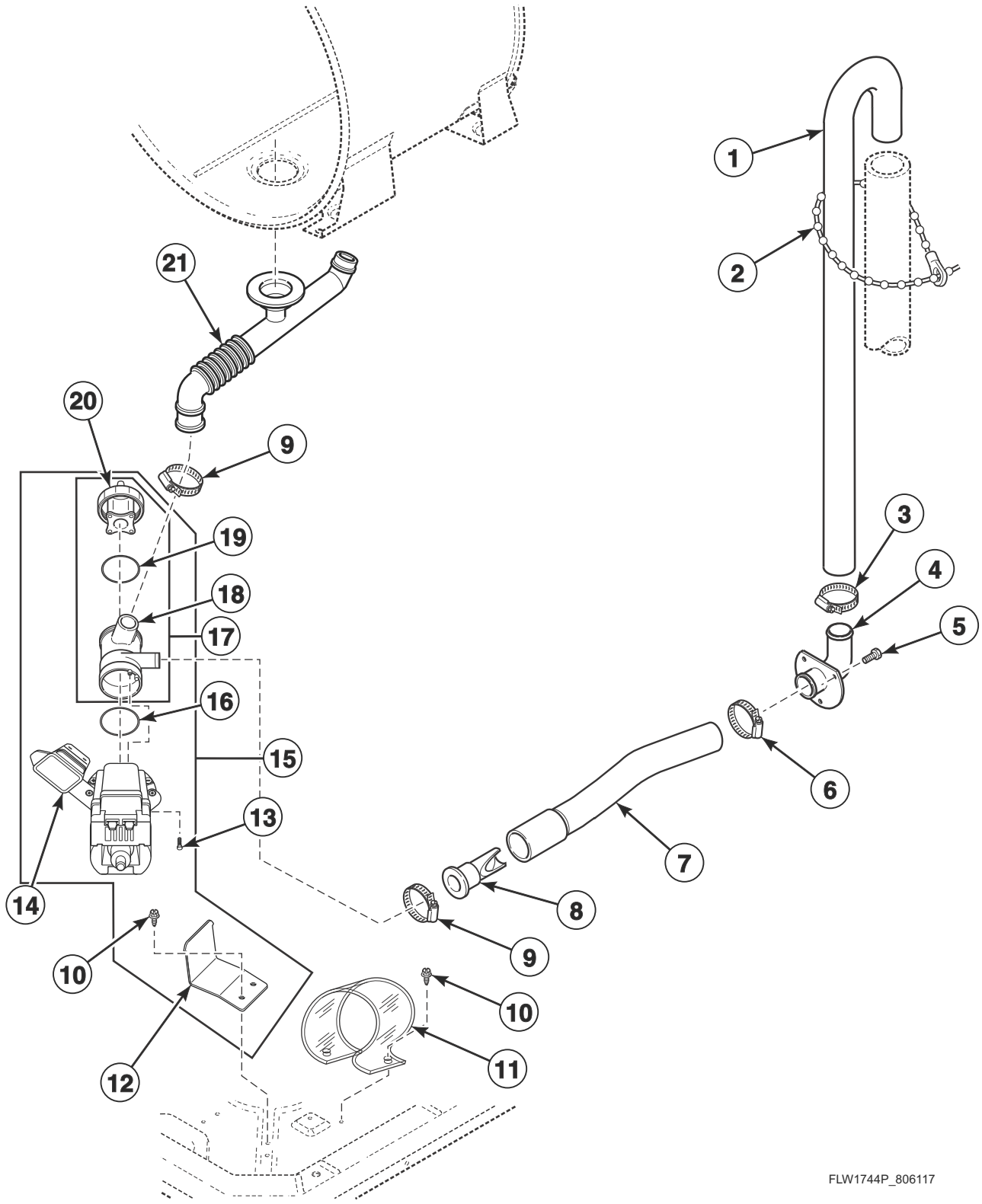
FLW1745P\_806117

## Drain Hoses and Valve

REF	PART NO.	DESCRIPTION	COMMENTS
1	803874	Tub-to-Gravity Drain Hose	
	27615P	Sealant	Tub-to-drain hose to outer tub
2	685725	Hose Clamp	
3	803291	Gravity Drain Bracket	
4	F975P3	Drain Valve Kit	Includes items 3, 5 and 8-11
5	803293	Drain Valve	
6	800903	Drain-to-Cabinet Hose	
7	503235	Snap Bushing	
8	02916	Screw	
9	M400017	Washer	
10	503661	Screw	
11	29786	Nut	

# Hoses and Pump

All Models Except BFNBCASG113TN01, BFNBCASG113TW01, HFNBCASG113TN01, HFNBCASG113TQ01, HFNBCASG113TW01, HFNBASG113CW01, HFNBASG113CW01, SFNBCASG113TQ01, SFNBCASG113TW01, SFNBXASG083JW01, SFNBXASG113TQ01, SFNBXASG113TW01 and SFNBASG113TW01

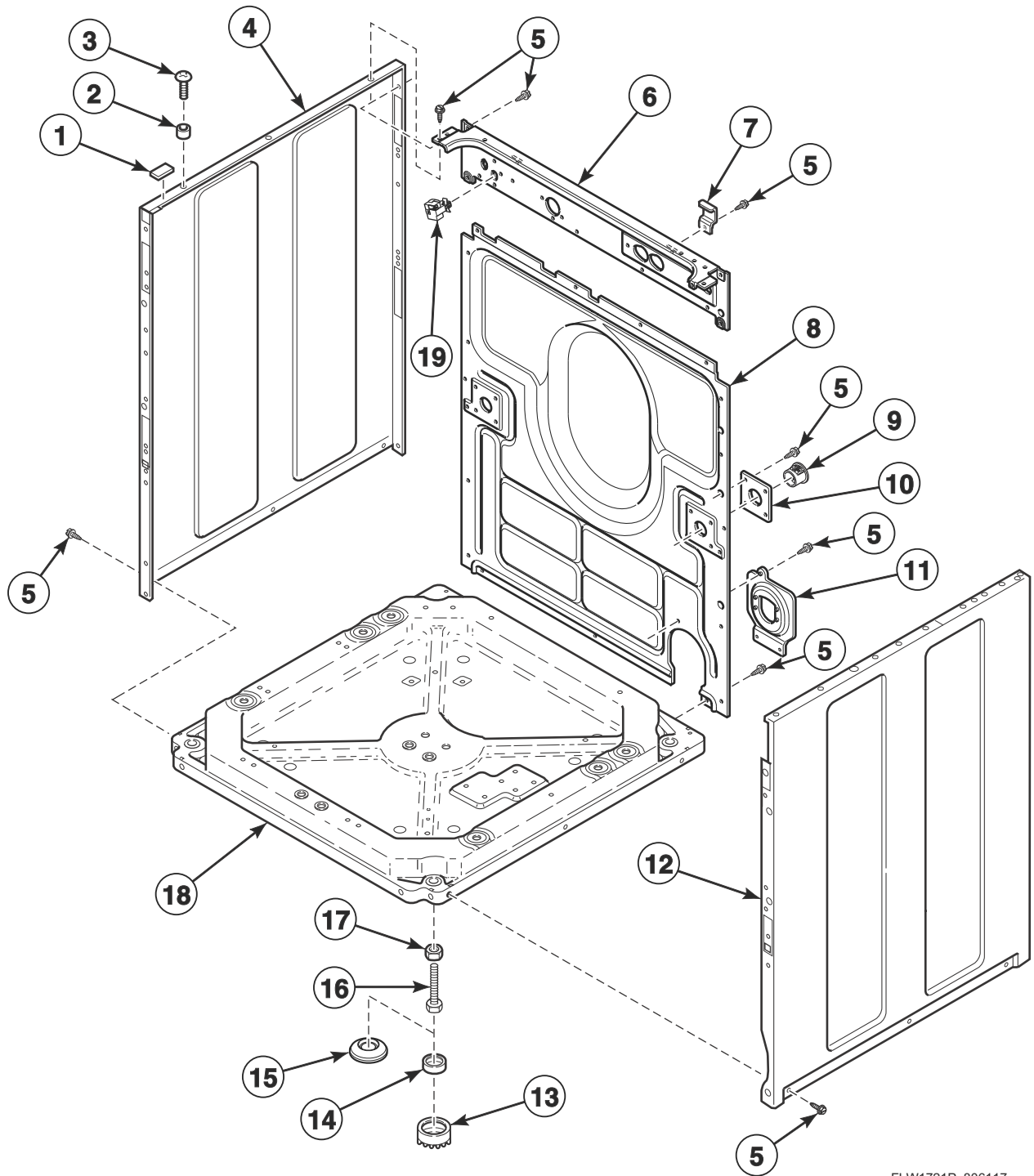


FLW1744P\_806117

## Hoses and Pump

REF	PART NO.	DESCRIPTION	COMMENTS
	805771	Pump-to-Gravity Drain Kit	120 Volt
	805770	Pump-to-Gravity Drain Kit	220 Volt
1	27154	Drain Hose	
2	33489	Standpipe Strap	
3	20211	Hose Clamp	
4	35766	Drain Hose Elbow	
5	52909	Screw	
6	20391	Hose Clamp	
7	803734	Pump-to-Elbow Hose	
8	800310	Backflow Preventer	
9	F200204	Hose Clamp	
10	503661	Screw	
11	805561	Drain Pump Drip Shield	Models BFNBLSBP303AW01, BFNBXASP113FW01, BFNBXASP303AW01, HFNBXASP113FQ01, HFNBXASP113FW01, HFNBXASP123DW01, HFNBXASP543DW01, SFNBXASG113JW01, SFNBXASP113FW01, SFNBXASP123DW01, SFNBXASP303AW01, SFNBXASP303AW12, SFNBXASP303ZQ01, SFNBXASP303ZW01 and SFNBXASP543DW01
12	803814	Drain Base Bracket	
13	802431	Screw	
14	803815	Drain Pump Isolator	
15	805722P	Drain Pump Assembly	208-240 Volt; 60 Hertz; Models BFNBLSBP543NW01, HFNBXASP543DW01 and SFNBXASP543DW01
	803922	Drain Pump Assembly	220-240 Volt; 50 Hertz; Models BFNBLSBP303AW01, BFNBXASP303AW01, HFNBXASP303NW22, SFNBXASP303AW01, SFNBXASP303AW12, SFNBXASP303NW22, SFNBXASP303ZQ01 and SFNBXASP303ZW01
	805724P	Drain Pump Assembly	100-127 Volt; 60 Hertz; Models BFNBXASP113FW01, HFNBXASP113FQ01, HFNBXASP113FW01, HFNBXASP123DW01, HFNBXRSP113FW01, SFNBXASP113FW01 and SFNBXASP123DW01
	803921P	Drain Pump Assembly	120 Volt; 60 Hertz; All other models
16	802429P	O-Ring	
17	802434P	Pump Housing Assembly	Includes items 14-16
18	802428	Pump Housing	
19	802427	Gasket	
20	802426P	Lid Assembly	Includes filter
21	803829	Tub-to-Pump Hose	
	27615P	Sealant	Tub-to-pump hose to outer tub

# Base, Side Panels and Rear Panel



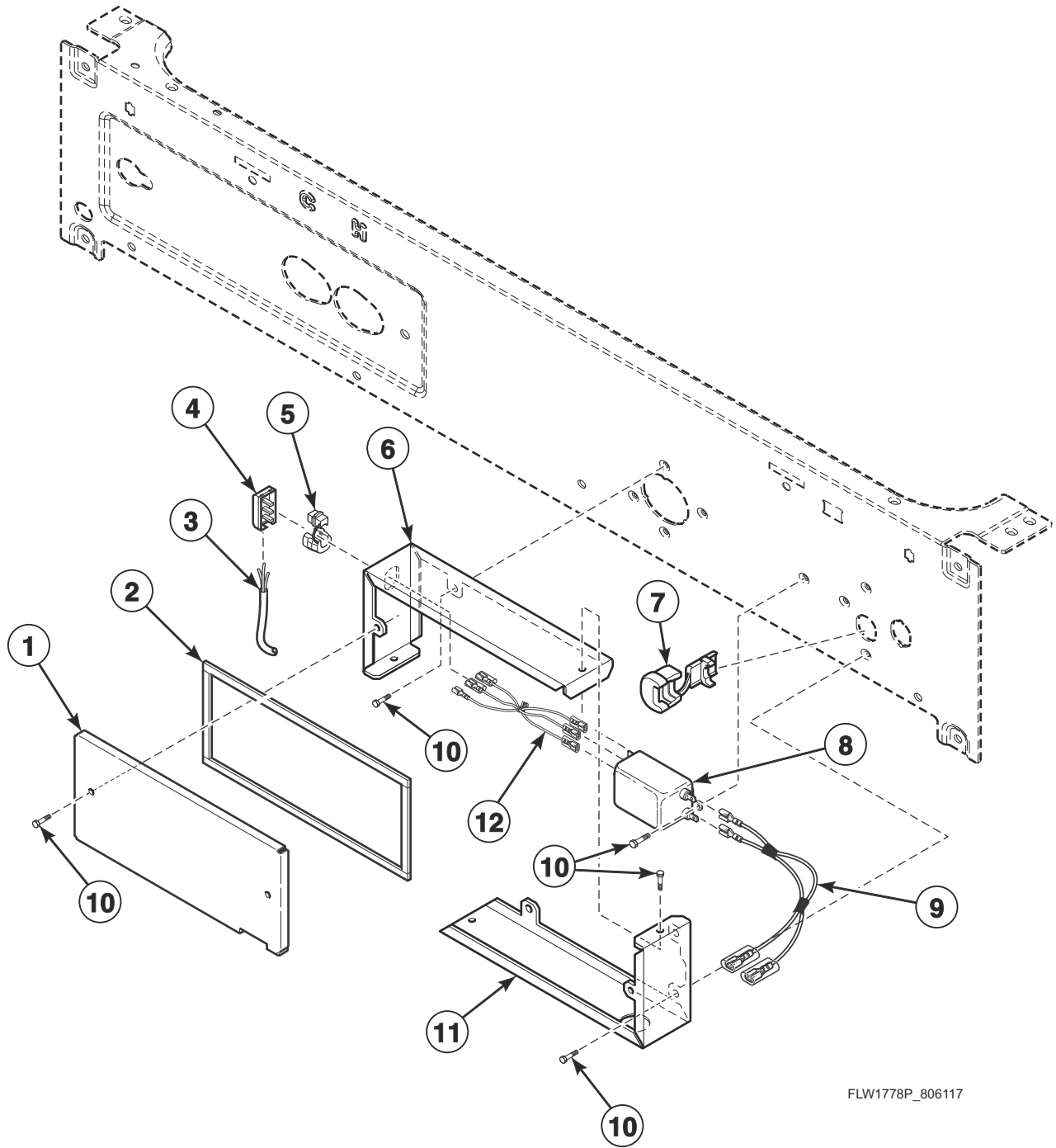
FLW1721P\_806117

## Base, Side Panels and Rear Panel

REF	PART NO.	DESCRIPTION	COMMENTS
	122P4P	Porcelain Touch-Up Paint	White
	370P4P	Porcelain Touch-Up Paint	Bisque
	806436P	Paint	Gray
<b>1</b>	36226	Bumper Pad	
<b>2</b>	56079	Panel Locator	
<b>3</b>	39733	Screw	Use with painted panels
	806276	Screw	Use with stainless steel panels
<b>4</b>	800004WP	Cabinet Panel Kit	Left; White; Includes corner gusset with hardware
	800004QP	Cabinet Panel Kit	Left; Bisque; Includes corner gusset with hardware
	800004DG	Cabinet Side Panel	Left; Gray
	802525P	Cabinet Side Panel	Left; Stainless steel
<b>5</b>	503661	Screw	
<b>6</b>	803790	Rear Panel	Fixed
<b>7</b>	510136	Top Hinge	Rear control models
<b>8</b>	803789	Rear Panel	Removable
<b>9</b>	803859	Shipping Plug	
<b>10</b>	803851	Shipping Plate	
<b>11</b>	803833	Gravity Drain Bracket	
	803828	Drain Hose Bracket	
<b>12</b>	806492	Side Panel Kit	Right; White; Includes items 2, 3, dispenser plate and coin hardware kit
	800005QP	Side Panel Kit	Right; Bisque; Includes items 2, 3, dispenser plate and coin hardware kit
	800005DG	Cabinet Side Panel	Right; Gray
	802526P	Cabinet Side Panel	Right; Stainless steel
<b>13</b>	501855	Rubber Foot	Use to prevent movement on smooth surface floor coverings; Install over 2 existing front rubber feet (item 14)
<b>14</b>	34318	Rubber Foot	
<b>15</b>	155P3	Anchor	Includes 4 rubber discs with adhesive backing
	802844P	Anchor Floor Mount Assembly	Includes 2 rubber discs with adhesive backing
<b>16</b>	34319	Leveling Leg	
<b>17</b>	21899	Nut	
<b>18</b>	803876	Base Assembly	
<b>19</b>	202470	Pressure Sensor	

# Junction Box and Power Cord

Models BFNBLBSP303AW01, BFNBLBSP543NW01, BFNBXASP113FW01, BFNBXASP303AW01, HFNBXASP113FQ01, HFNBXASP113FW01, HFNBXASP123DW01, HFNBXASP303NW22, HFNBXASP543DW01, HFNBXRSP113FW01, SFNBXASG113JW01, SFNBXASP113FW01, SFNBXASP123DW01, SFNBXASP303AW01, SFNBXASP303AW12, SFNBXASP303NW22, SFNBXASP303ZQ01, SFNBXASP303ZW01 and SFNBXASP543DW01



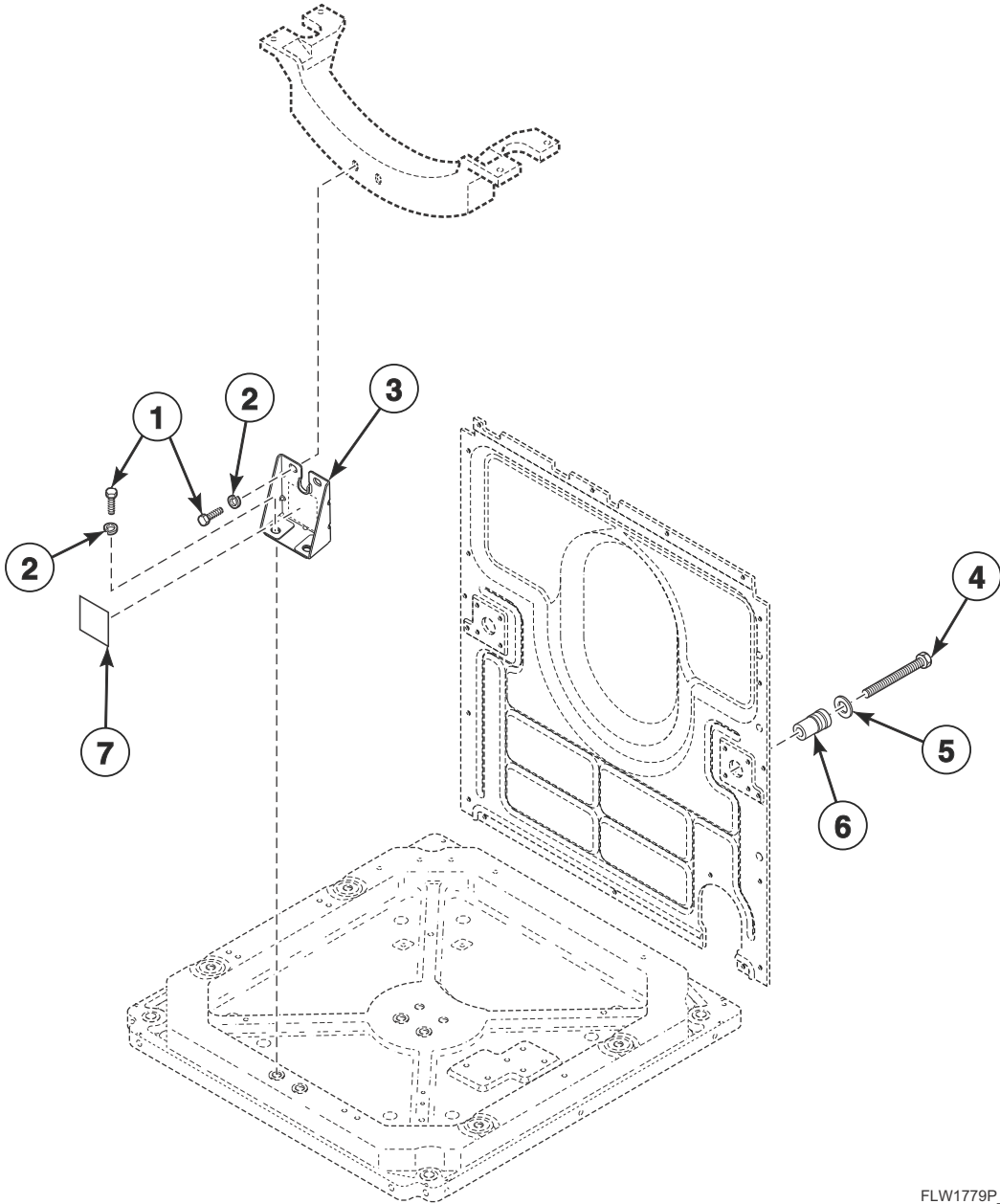
FLW1778P\_806117



## Junction Box and Power Cord

REF	PART NO.	DESCRIPTION	COMMENTS
1	803820	Junction Box Cover	
2	803832	Junction Box Seal	4 required
3	39931	Power Cord Assembly	Models BFNBLBSP303AW01, BFNBXASP303AW01, SFNBXASP303AW01 and SFNBXASP303AW12
	802012	Power Cord Assembly	Models BFNBXASP113FW01, HFNBXASP113FQ01, HFNBXASP113FW01, HFNBXRSP113FW01 and SFNBXASP113FW01
	202624	Power Cord Assembly	Model SFNBXASG113JW01
	801450	Power Cord Assembly	Models BFNBLBSP543NW01, HFNBXASP303NW22, SFNBXASP303NW22, SFNBXASP303ZQ01 and SFNBXASP303ZW01
	804556	Lead-In Cord Assembly	Models HFNBXASP123DW01, HFNBXASP543DW01, SFNBXASP123DW01 and SFNBXASP543DW01
4	39922	Cable Connection Box	All models except SFNBXASG113JW01
5	60298	Strain Relief	Model SFNBXASG113JW01
6	803819	Junction Box	Lower
7	38384	Strain Relief	
8	805633	Line Filter	HFNBXRSP113FW01; All other models starting Serial Nos. beginning 1610
9	804396	Filter Harness	Line filter to control harness; HFNBXRSP113FW01 and SFNBXASG113JW01; All other models starting Serial Nos. beginning 1610
10	503661	Screw	
11	804559	Junction Box	Upper; Model SFNBXASG113JW01
	803818	Junction Box	Upper; All other models
12	801420	Filter Jumper Harness	Line filter to power cord terminal block; HFNBXRSP113FW01 and SFNBXASG113JW01; All other models starting Serial Nos. beginning 1610
	804805	Filter Jumper Harness	Line filter to power cord terminal block; All other models through Serial Nos. beginning 1610

# Shipping Materials

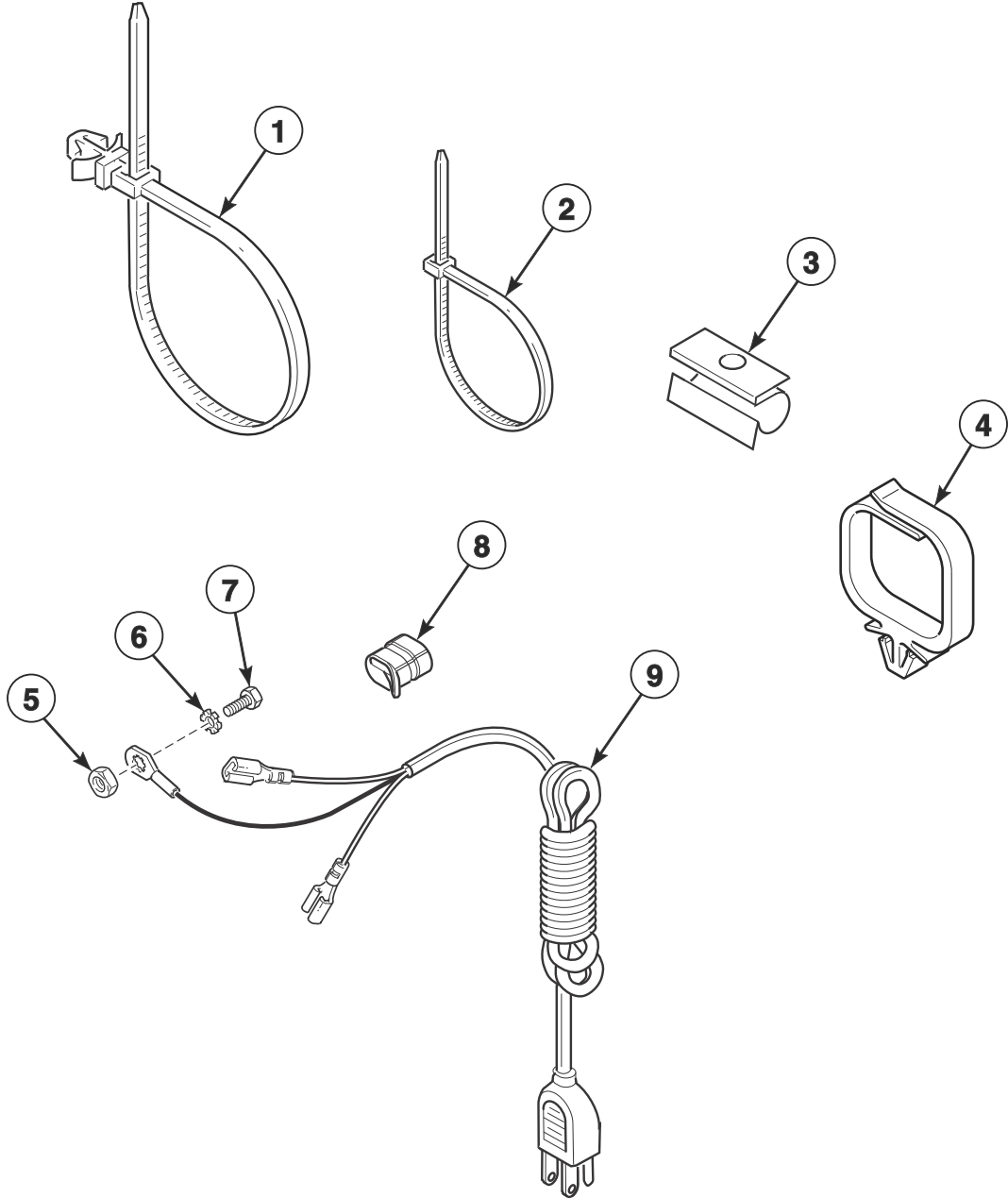


FLW1779P\_806117

# Shipping Materials

REF	PART NO.	DESCRIPTION	COMMENTS
1	M400043	Screw	4 required
2	M400014	Washer	4 required
3	804454	Shipping Brace	
4	800462	Screw	2 required
5	800624	Washer	2 required
6	803858	Shipping Spacer	2 required
7	804488	Label	

# Wire Ties, Harness Clips and Lead-In Cord

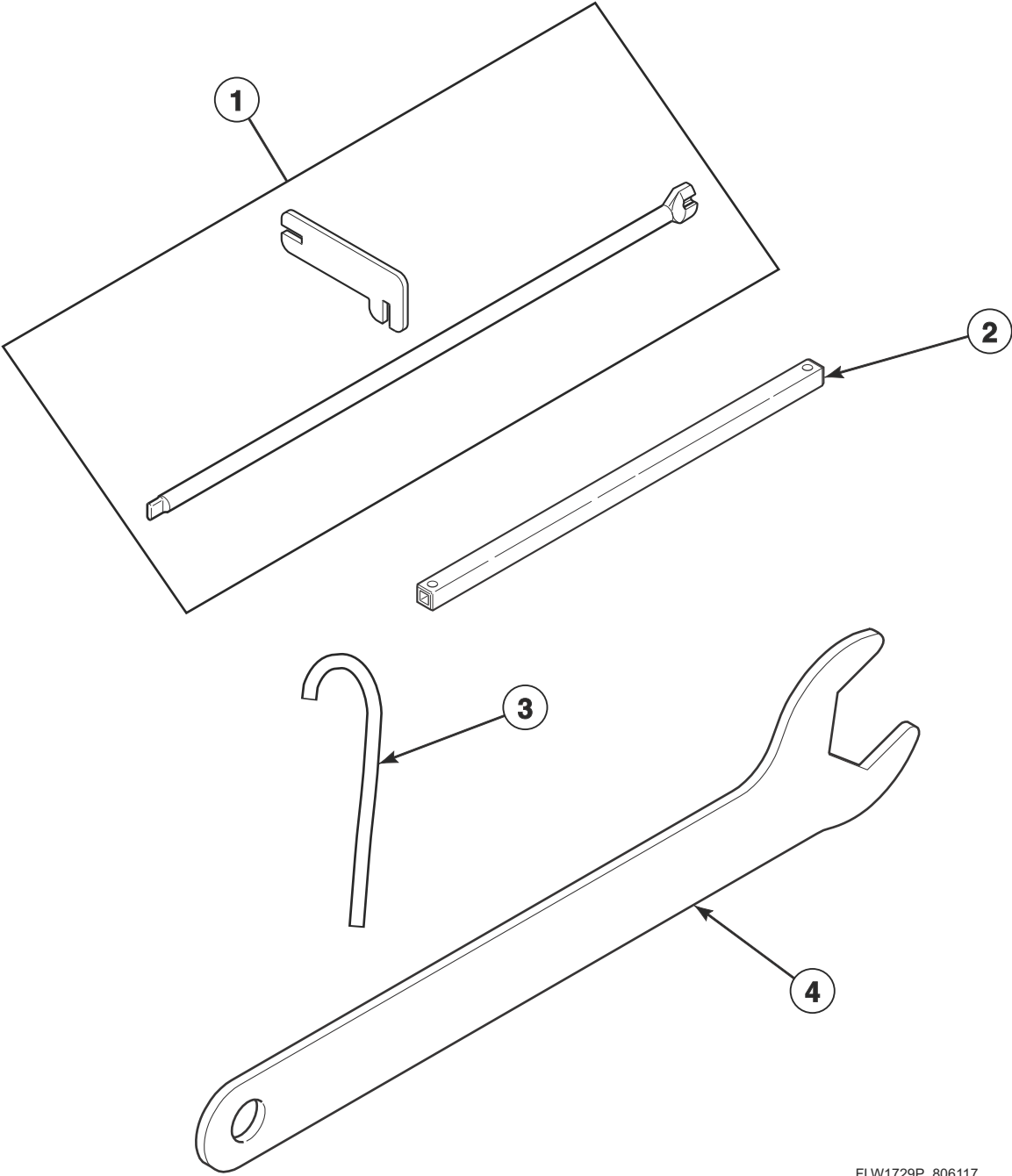


FLW1775P\_806117

## Wire Ties, Harness Clips and Lead-In Cord

REF	PART NO.	DESCRIPTION	COMMENTS
1	M405829	Cable Tie	6.13 inches
2	55881	Harness Strap	
3	36985	Hose Clip	
4	F8449502	Wire Clip	
5	03673	Nut	
6	03815	Washer	
7	20530	Screw	
8	38384	Strain Relief	
9	202777	Lead-In Cord	All models except BFNBLBSP303AW01, BFNBLBSP543NW01, BFNBXASP113FW01, BFNBXASP303AW01, HFNBXASP113FQ01, HFNBXASP113FW01, HFNBXASP123DW01, HFNBXASP303NW22, HFNBXASP543DW01, HFNBXRSP113FW01, SFNBXASG113JW01, SFNBXASP113FW01, SFNBXASP123DW01, SFNBXASP303AW01, SFNBXASP303AW12, SFNBXASP303NW22, SFNBXASP303ZQ01, SFNBXASP303ZW01 and SFNBXASP543DW01

# Special Tools

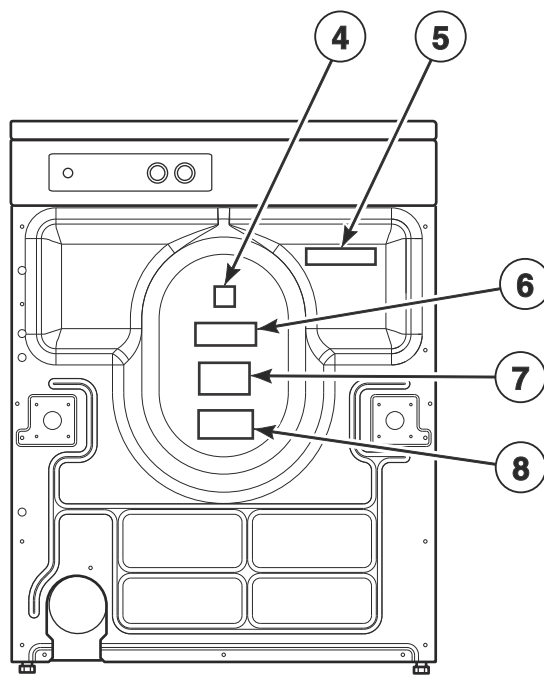
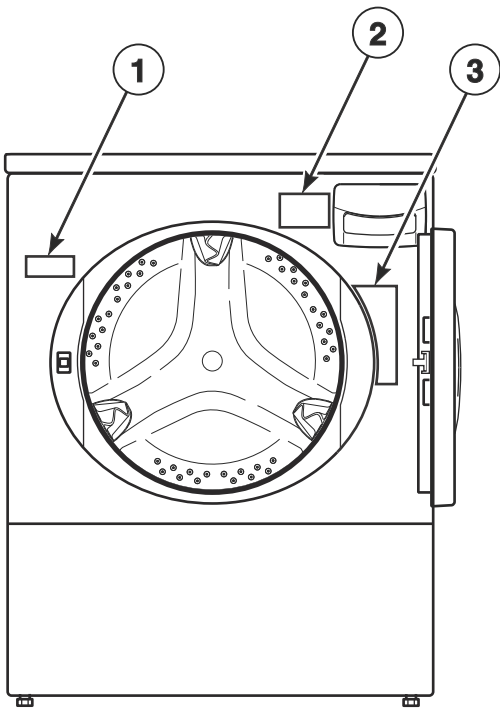


FLW1729P\_806117

# Special Tools

REF	PART NO.	DESCRIPTION	COMMENTS
1	CK096	Mounting Tool Kit	Use to install and remove electronic coin drop kits
2	310P4	Ratchet Extension Tool	1/4 inch; Use to install and remove non-electronic coin drops
3	802336	Pulley Bolt Tightening Fixture	Use to install inner basket
4	392P4	Wrench	Use for adjusting leveling leg nuts

# Labels



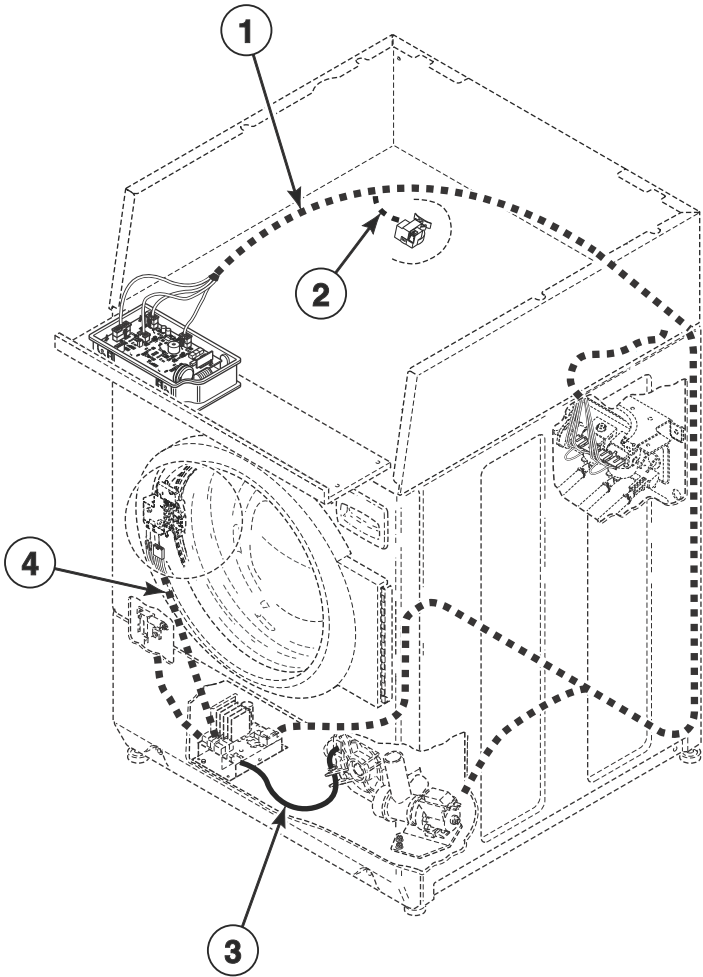
FLW1722P\_806117



# Labels

REF	PART NO.	DESCRIPTION	COMMENTS
1	803011	Notice Label	
2	802074	Oversudsing Label	English
	802838	Oversudsing Label	Spanish
3	802367	Warning Label	Reduce fire risk
4	513371	Read Instructions Label	
5	505281	Disconnect Power Warning Label	English
	500316	Warning Label	English/French
	801706	Caution Label	Icon; Ground machine
6	685928	Left Hand Thread Label	Text
	804949	Left Hand Thread Label	Icon
7	803260	Warning Label	Disconnect Power
	F8211201	Electrical Shock Label	Icon
8	500049	Warning Label	English
	500314	Warning Label	English/French
	F8211301	Pinched Fingers Label	Icon; Crush hazard

# Wire Harnesses and Wires



FLW1780P\_806117

## Wire Harnesses and Wires

REF	PART NO.	DESCRIPTION	COMMENTS
	45001	18 Gauge Wire	Black; Order wire by foot and terminals and connectors as required
1	806030	Rear Control Harness	Models HFNBCRSP113TW01, HFNBDRSP113CW01, HFNBERSP113CW01, HFNBXRSP113FW01, HFNBYSRSP113CW01, SFNBCRSP113TW01, SFNBCRSP113TW02, SFNBXRSP113TW01, SFNBXRSP113TW02 and SFNBYSRSP113TW01
	804834	Rear Control Harness	Models HFNSXRSP113CW01, SFNSXRSP113CW02, SFNSXRSP113TQ01, SFNSXRSP113TW01 and SFNSXRSP113TW02
	806031	Front Control Harness	All other models
2	804432	Pressure Sensor Harness	Models HFNBCRSP113TW01, HFNBDRSP113CW01, HFNBERSP113CW01, HFNBXRSP113FW01, HFNBYSRSP113CW01, SFNBCRSP113TW01, SFNBCRSP113TW02, SFNBXRSP113TW01, SFNBXRSP113TW02 and SFNBYSRSP113TW01
	804833	Pressure Sensor Harness	Models HFNSXRSP113CW01, SFNSXRSP113CW02, SFNSXRSP113TQ01, SFNSXRSP113TW01 and SFNSXRSP113TW02
	804433	Pressure Sensor Harness	All other models
3	806029	Motor Harness	
4	806028	Door Lock Harness Assembly	

**NOTE: Individual wires are not available separately. Order complete harness, or order wire by the foot. When applying terminals to wires, it is recommended that the terminals be soldered to the wires.**



# Parts Index

## A

Access Panel Assembly	
804617Q .....	35
804617W .....	35
804618 .....	35
Anchor	
155P3 .....	53
Anchor Floor Mount Assembly	
802844P .....	53
Anti-Seize Compound	
27604P .....	45

## B

Backflow Preventer	
800310 .....	51
Balance Ring Assembly	
804393 .....	45
Base Assembly	
803876 .....	53
Bearing Housing Kit	
805525 .....	45
Bolt	
02505 .....	21, 23
29651 .....	7, 11, 19, 23
32184 .....	33
Bracket	
201918 .....	33
510146 .....	21, 23, 29
803662 .....	25
Bumper Pad	
36226 .....	19, 53

## C

Cabinet Panel Kit	
800004QP .....	53
800004WP .....	53
Cabinet Side Panel	
800004DG .....	53
800005DG .....	53
802525P .....	53
802526P .....	53
Cable Connection Box	
39922 .....	55
Cable Tie	
M405829 .....	59
Card Insert Overlay	
514391 .....	17
Caution Label	
801706 .....	63
Central Pay Harness	
805427 .....	5, 27, 29
Chemical Injection Conversion Kit	
805772 .....	39
Clamp Ring	
803802 .....	43

Clip	
201572 .....	15
Clothes Guard Deflector	
804467 .....	43
805548 .....	43
Coin Box Extension Kit	
803578P .....	21
Coin Drop	
38963P .....	13
70441601P .....	13, 21
70441603 .....	13
Coin Drop Assembly	
CK114 .....	13
CK123 .....	13
38462P .....	13
38463 .....	13
38464P .....	13
38467 .....	13
38472 .....	13
38519 .....	13
38521 .....	13
70281102 .....	21
70441602 .....	13, 21
70447301 .....	13
70482401 .....	13
Coin Drop Kit	
CK077 .....	21
Coin Funnel Kit	
523P3 .....	23
Coin Identification Paper	
38725 .....	13, 15, 21
Coin Slide Extension Kit	
200913 .....	25
Compartment Cover	
803669 .....	39
803670 .....	39
Control Assembly	
804471P .....	5, 27, 29
804472P .....	5, 19
804474P .....	23
Control Bracket	
804612 .....	19
Control Hood	
502567Q .....	31
502567W .....	27, 31
511253W .....	29
Control Panel	
803962BP .....	11
803962Q .....	11
803962WP .....	11
Control Panel and Bracket Assembly	
800142Q .....	31
800142W .....	31
800149W .....	27
Control Panel and Stud Assembly	
800710W .....	29
Control Panel Assembly	
804070B .....	5
804070Q .....	5
804070W .....	5
804962 .....	19
Control Shield	
804363 .....	5, 19

N/A items do not appear in index.

Control Wrapper	
804627W.....	19
804630W.....	19
Counterweight	
803810.....	43

## D

Detergent Hose	
804717.....	39
Diagnostic Wire Harness Assembly	
202869.....	19
Disconnect Power Warning Label	
505281.....	23, 27, 29, 31, 63
Dispenser Assembly	
803698.....	39
805495P.....	39
Dispenser Drawer	
803667.....	39
Dispenser Handle	
804227B.....	39
804227Q.....	39
804227WP.....	39
Dispenser Inlet Hose	
803849.....	39, 41
Dispenser Plate	
803843.....	39
Door Assembly	
804083QP.....	35
804083WP.....	35
804210.....	35
805550.....	35
Door Catch Assembly	
802803.....	35
Door Glass	
802695P.....	35
Door Glass Mounting Plate	
804239.....	35
Door Hinge	
802934.....	35
Door Latch Assembly	
803920.....	35
Door Lock Drip Shield	
804784.....	35
Door Lock Harness Assembly	
806028.....	65
Door Seal	
804428P.....	35
Door Seal Assembly	
804429P.....	35
Drain Base Bracket	
803814.....	51
Drain Hose	
27154.....	51
Drain Hose Bracket	
803828.....	53
Drain Hose Elbow	
35766.....	51
Drain Pump Assembly	
803921P.....	51
803922.....	51
805722P.....	51
805724P.....	51

Drain Pump Drip Shield	
805561.....	51
Drain Pump Isolator	
803815.....	51
Drain Valve	
803293.....	49
Drain Valve Kit	
F975P3.....	49
Drain-to-Cabinet Hose	
800903.....	49
Drive Belt	
804985.....	47
Dual Coin Harness Assembly	
202871.....	13, 15, 21
Dual Overlay	
39073.....	11, 21

## E

Electrical Shock Label	
F8211201.....	63
Electronic Coin Drop Assembly	
70294104.....	15
70294105P.....	15
70294106.....	15
70294107.....	15
70294109.....	15
70294110.....	15
70294111.....	15
70294120.....	15
70294121.....	15
70294122.....	15
70294123.....	15
Electronic Coin Drop Kit	
CK099.....	15
CK100.....	15
CK101.....	15
CK103.....	15
CK106.....	15
CK108.....	15
CK109.....	15
CK110.....	15
CK113.....	15
CK115.....	15
CK120.....	15
CK121.....	15
End Cap	
210108W.....	29
210109W.....	29
End Shield	
806258.....	47
Expansion Clip	
70030501.....	11, 17, 19
Extension Spring	
802285.....	35

## F

Fill Hose	
202799.....	41
202800.....	41
202931.....	41
20617.....	41

N/A items do not appear in index.

20618 .....	41
Filter Harness	
804396 .....	55
804797 .....	9
Filter Jumper Harness	
801420 .....	55
804805 .....	55
Foam Pad	
804875 .....	39
Foreign Object Deflector	
806308 .....	43
806313 .....	43
Front Control Harness	
806031 .....	65
Front Panel	
802277WP .....	35
802288P .....	35
Front Panel Assembly Kit	
806505W .....	37
806560 .....	37

## G

Gasket	
802427 .....	51
Glass Mounting Clip	
802700 .....	35
Gravity Drain Bracket	
803291 .....	49
803833 .....	53
Grommet	
29175 .....	43

## H

Harness	
804832 .....	27, 29
Harness Strap	
55881 .....	59
Hinge	
511036 .....	7
Hinge Plate	
802206 .....	35
Hood Back Panel	
804223 .....	27
804886 .....	27, 31
Hose and Washers Kit	
203675 .....	41
203676 .....	41
Hose Clamp	
F200204 .....	51
20211 .....	51
20391 .....	51
685725 .....	39, 49
802281 .....	35
803891 .....	43
804173 .....	39, 41
Hose Clip	
36985 .....	43, 59
800553 .....	43

## I

Inner Basket Assembly	
804374P .....	45
805485 .....	45
Inner Basket Assembly Kit	
804376P .....	45
Inner Door Bezel	
804562 .....	35
Inner Door Bezel Kit	
802307P .....	35
Instruction Label	
805912 .....	17
Inverter Control Assembly	
803949P .....	47

## J

Junction Box	
803818 .....	55
803819 .....	55
804559 .....	55
Junction Box Cover	
803820 .....	55
Junction Box Seal	
803832 .....	55

## K

Key	
54612 .....	5

## L

Label	
804488 .....	57
Lead-In Cord	
202777 .....	59
Lead-In Cord Assembly	
804556 .....	55
Left Hand Thread Label	
685928 .....	63
804949 .....	63
Leveling Leg	
34319 .....	53
Lid Assembly	
802426P .....	51
Lifter	
804382 .....	45
Light	
801431 .....	31
Line Filter	
805633 .....	9, 55
Lock Assembly	
804339P .....	5
Lock Cam	
804338 .....	5

N/A items do not appear in index.

---

**M**

Machine ID Control Assembly	
203361P.....	5, 19, 27, 29
Meter Case Assembly	
38724W.....	21
801330Q.....	23
801330W.....	23
802505W.....	21
803576W.....	23
804009B.....	11
804009Q.....	11
804009W.....	11
Meter Case Assembly Kit	
803063WP.....	21
Meter Case Bracket Gasket	
35526.....	21, 23
Meter Case Gasket	
26354.....	21, 23
Meter Case Lockdown Bracket	
35525.....	21, 23
Meter Case Locking Bracket	
30642.....	21, 23
Mixing Valve	
803809.....	41
803838P.....	41
Mixing Valve Screen	
24122.....	41
Mixing Valve Shield	
804783.....	41
Motor and Rod Assembly Kit	
805726P.....	47
Motor Control Shield	
804878.....	47
806498.....	47
Motor Harness	
806029.....	65
Motor Rod	
803861.....	47
Motor Speed Switch	
800404.....	31
Mounting Tool Kit	
CK096.....	61

---

**N**

Notice Label	
803011.....	63
Nut	
F430218.....	43
M412986.....	23
03673.....	59
201216.....	15
21899.....	53
23951.....	33, 35
24205.....	31
27222.....	21, 23
29786.....	13, 15, 21, 23, 49
29787.....	9
30647.....	21, 23, 33
36020.....	7, 35
44087101.....	27, 31
44087201.....	7, 11

N/A items do not appear in index.

52947.....	31
685846.....	35
800452.....	43, 45
802337.....	21, 23
802343.....	43
804418.....	45

---

**O**

Operating Instruction Label	
804327.....	11, 17
804846.....	11
Opto Coupler	
200674P.....	13, 21
O-Ring	
802429P.....	51
Outer Door Bezel	
803710BP.....	35
803710QP.....	35
803710WP.....	35
803711P.....	35
Outer Tub Assembly	
803864.....	43
Out-of-Balance Switch Assembly	
803415.....	43
Out-of-Balance Switch Bracket	
804457.....	43
Overlay	
201091.....	11, 15, 21
514873.....	17
804952.....	31
805034.....	5
805388.....	27
805389.....	29
805390.....	31
805391.....	27
805392.....	29
805393.....	5
805394.....	5
805395.....	19
805614.....	5
805615.....	5
805616.....	5
805735.....	5
806190.....	19
Oversudsing Label	
802074.....	63
802838.....	63

---

**P**

Paint	
806436P.....	53
Panel Locator	
56079.....	35, 53
Pinched Fingers Label	
F8211301.....	63
Pop Rivet	
685847.....	7, 19, 43
70058501.....	21, 23, 29
Porcelain Touch-Up Paint	
122P4P.....	53
370P4P.....	53



Power Cord Assembly	
202624 .....	55
39931 .....	55
801450 .....	55
802012 .....	55
Pressure Bulb	
803837 .....	43
Pressure Sensor	
202470 .....	53
Pressure Sensor Harness	
804432 .....	65
804433 .....	65
804833 .....	65
Pressure Sensor Tube Assembly	
804483 .....	43
Pulley Assembly	
803974 .....	45
Pulley Bolt Tightening Fixture	
802336 .....	61
Pump Housing	
802428 .....	51
Pump Housing Assembly	
802434P .....	51
Pump-to-Elbow Hose	
803734 .....	51
Pump-to-Gravity Drain Kit	
805770 .....	51
805771 .....	51

## R

Ratchet Extension Tool	
310P4 .....	61
Read Instructions Label	
513371 .....	63
Rear Access Panel	
803998 .....	11, 17
804614 .....	19
Rear Control Harness	
804834 .....	65
806030 .....	65
806156 .....	23
Rear Control Operating Instruction Label	
805830 .....	21, 23
Rear Panel	
511254 .....	29
803789 .....	53
803790 .....	53
Rear Wrapper Brace	
805345 .....	19
Rubber Foot	
34318 .....	53
501855 .....	53

## S

Screw	
M400043 .....	45, 57
M400057 .....	47
02916 .....	27, 31, 49
20530 .....	21, 23, 29, 59
23008 .....	7

36048 .....	21, 23
39733 .....	19, 35, 53
501086 .....	27, 29, 31
501524 .....	27, 29, 47
503661 .....	9, 21, 23, 27, 29, 35, 47, 49, 51, 53, 55
503673 .....	21, 23
503688 .....	5, 17, 19, 25, 33
52864 .....	27, 29, 31
52909 .....	51
685831 .....	45
70240301 .....	11, 17
800461 .....	43
800462 .....	43, 57
800548 .....	35, 39, 45
801001 .....	39
801019 .....	35
801045 .....	35
801993 .....	35
802431 .....	51
802596 .....	43
804399 .....	45
804608 .....	31
804647 .....	5
804699 .....	45
806086 .....	35
806276 .....	35, 53
Sealant	
27615P .....	49, 51
Security Cabinet Assembly	
804149B .....	17
804149WP .....	17
Security Kit	
905P3 .....	33
Service Door Assembly	
39874QP .....	23
39874WP .....	21, 23
Shipping Brace	
804454 .....	57
Shipping Plate	
803851 .....	53
Shipping Plug	
803859 .....	53
Shipping Spacer	
803858 .....	57
Shock Assembly	
803777 .....	43
Side Panel Kit	
806492 .....	53
Sidet Panel Kit	
800005QP .....	53
Single Coin Harness Assembly	
202870 .....	13, 21
Single Overlay	
38717 .....	11, 13, 21
Snap Bushing	
M400770 .....	9
M402542 .....	9
503235 .....	49
Spring	
804794 .....	25
Standpipe Strap	
33489 .....	51
Strain Relief	
38384 .....	55, 59
60298 .....	55

N/A items do not appear in index.

Switch	
431159 .....	25
512973 .....	5, 11, 21, 23
Switch Assembly	
55882 .....	31
Switch Knob	
39897 .....	31

## T

Temperature Switch	
685595 .....	31
Terminal Block Assembly	
803988 .....	9
Terminal Block Panel	
804609 .....	9
Top Hinge	
510136 .....	53
Top Kit	
511527QP .....	23
511527WP .....	21, 23
Top Mounting Bracket	
504228 .....	7
Top Panel	
803868Q .....	7
803868WP .....	7
803869 .....	7
804685WP .....	19
Top Panel Brace Assembly	
804613 .....	19
Top Panel Guide	
803761 .....	19
Top Panel Kit	
511530WP .....	29
Transformer	
202757 .....	5, 27, 29
202758 .....	5
Transformer Harness	
804795 .....	5
805428 .....	5
Transformer Kit	
203423 .....	5, 27, 29
203424 .....	5
Trunnion Assembly	
804405 .....	45
Tub Front	
803770 .....	43
Tub Front Assembly	
803879 .....	43
Tub Front Seal	
803801 .....	43
Tub-to-Gravity Drain Hose	
803874 .....	49
Tub-to-Pump Hose	
803829 .....	51

## W

Warning Label	
500049 .....	43, 63
500314 .....	63
500316 .....	23, 27, 29, 31, 63

N/A items do not appear in index.

802367 .....	63
803260 .....	63
Washer	
M400014 .....	57
M400017 .....	27, 31, 49
M400080 .....	47
M400081 .....	43, 45
M403958 .....	45
02834 .....	47
03815 .....	59
200608 .....	27, 29
20290 .....	41
25100 .....	33
25820 .....	31
800464 .....	45
800624 .....	57
802254 .....	41
803615 .....	41
804458 .....	43
91176 .....	31
Water Hose	
F200116 .....	41
Wire Clamp Ring	
802283 .....	35
Wire Clip	
F8449502 .....	59
Wire Guard	
201595P .....	13, 21
Wire, 18 Gauge	
45001 .....	65
Wiring Harness Assembly	
202869 .....	29
Wirring Harness Assembly	
202868 .....	5
Wrapper Assembly	
804104B .....	11
804104Q .....	11
804104W .....	11
804112B .....	17
804112W .....	17
Wrench	
392P4 .....	61